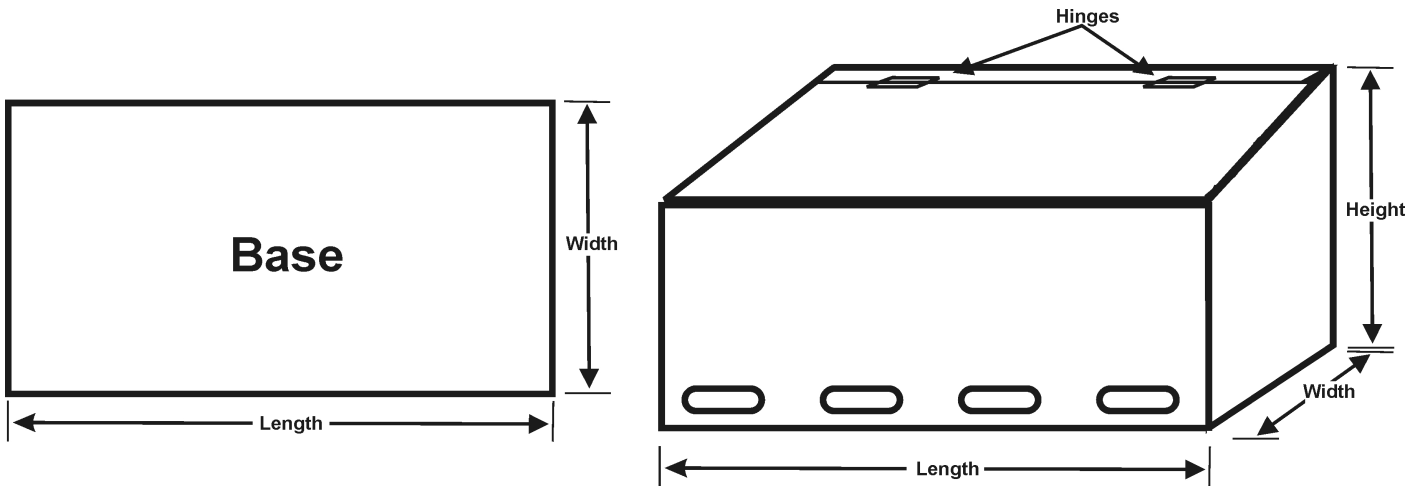


Raylite 600 to 1660Ah 12V / 24V / 48V Battery Box



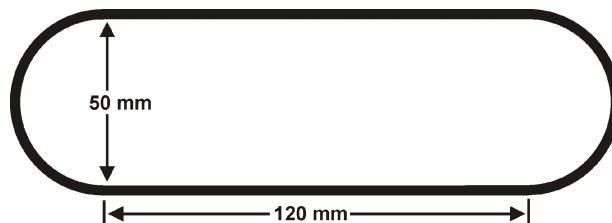
Battery Size	Cat.#	Length	Width	Height
12V 600Ah	BAT-R600	700 mm	500 mm	650 mm
12V 750Ah	BAT-R750	700 mm	550 mm	650 mm
12V 900Ah	BAT-R900	700 mm	650 mm	650 mm
12V 1050Ah	BAT-R1050	900 mm	550 mm	700 mm
12V 1380Ah	BAT-R1380	800 mm	550 mm	950 mm
12V 1660Ah	BAT-R1660	800 mm	650 mm	950 mm
24V 600Ah	2 x BAT-R600	1300 mm	500 mm	650 mm
24V 750Ah	2 x BAT-R750	1300 mm	550 mm	650 mm
24V 900Ah	2 x BAT-R900	1300 mm	650 mm	650 mm
24V 1050Ah	2 x BAT-R1050	1350 mm	650 mm	700 mm
24V 1380AH	2 x BAT-R1380	1350 mm	550 mm	950 mm
24V 1660Ah	2 x BAT-R1660	1350 mm	650 mm	950 mm
48V 600Ah	4 x BAT-R600	2500 mm	500 mm	650 mm
48V 750Ah	4 x BAT-R750	2500 mm	550 mm	650 mm
48V 900Ah	4 x BAT-R900	2500 mm	650 mm	650 mm
48V 1050Ah	4 x BAT-R1050	2600 mm	650 mm	700 mm
48V 1380AH	4 x BAT-R1380	2600 mm	600 mm	950 mm
48V 1660Ah	4 x BAT-R1660	2600 mm	650 mm	950 mm

- Note: 1. The diagram shows inside dimension. Allowance needs to be made for the thickness of the materials.
 Note 2. The front panel needs to be screwed on such that it can be removed for battery placement or replacement.
 Note 3: The top panel is made up of two pieces joined with hinges towards the back to allow for easy access to batteries.
 Note 4: The top vent holes may be at the back or the sides if the box is going to be against a wall.
 Note 5: If the battery box is going to be in a room or shed the top vents should be ducted through pipes that go through the wall to the outside.

Ventilation

Ventilation holes are required along the bottom of the front panel and the top of the back panel. One round hole of 50mm diameter is required for each 5 amps at 12V or each 2.5 amps at 24V.

Alternatively slots 120mm long and 50mm wide can be made for each 20 amps at 12V or each 10 amps at 24V.



RAINBOW POWER COMPANY LTD

A.B.N. 74 003 323 420

1 Alternative Way, Nimbin, NSW 2480, Australia

phone: (02) 6689 1430
 international: phone: +61 2 6689 1088
 sales@rpc.com.au

fax: (02) 6689 1109
 international: fax: +61 2 6689 1109
 www.rpc.com.au