

## General Specifications

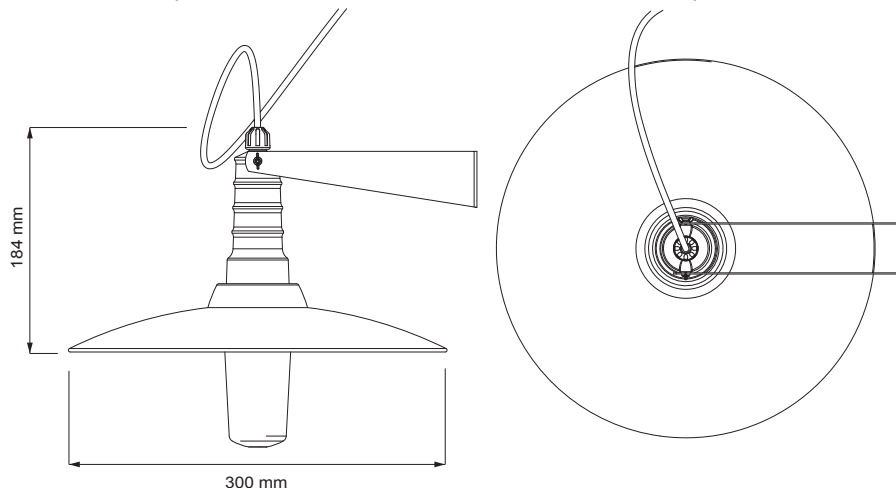
- |  |  |
|--|--|
| Product name <input type="checkbox"/>        | : <input type="checkbox"/> Multilight 3 <input type="checkbox"/>                                       |
| Product description <input type="checkbox"/> | : <input type="checkbox"/> 100% waterproof wall or pole mounted armature with <input type="checkbox"/> |
| <input type="checkbox"/>                     | : <input type="checkbox"/> galvanized mounting bracket ( 12VDC version ) <input type="checkbox"/>      |

## Electrical Specifications

- |  |   |  |  |
|--|---|--|--|
| Available ballast types <input type="checkbox"/>           | : <input type="checkbox"/> INCFL-DS06 <input type="checkbox"/>  | <input type="checkbox"/> INCFL-DS09 <input type="checkbox"/> | <input type="checkbox"/> INCFL-CD12 <input type="checkbox"/> |
| <input type="checkbox"/>                                   |   |  |  |
| Nominal operating voltage <input type="checkbox"/>         | : <input type="checkbox"/> 12.0 VDC <input type="checkbox"/>  | <input type="checkbox"/> 12.0 VDC <input type="checkbox"/>   | <input type="checkbox"/> 12.0 VDC <input type="checkbox"/>   |
| Minimum operating voltage <input type="checkbox"/>         | : <input type="checkbox"/> 10.0 VDC <input type="checkbox"/>  | <input type="checkbox"/> 10.0 VDC <input type="checkbox"/>   | <input type="checkbox"/> 10.0 VDC <input type="checkbox"/>   |
| Maximum operating voltage <input type="checkbox"/>         | : <input type="checkbox"/> 14.5 VDC <input type="checkbox"/>  | <input type="checkbox"/> 14.5 VDC <input type="checkbox"/>   | <input type="checkbox"/> 14.5 VDC <input type="checkbox"/>   |
| <input type="checkbox"/>                                   |   |  |  |
| Nominal operating current <input type="checkbox"/>         | : <input type="checkbox"/> 0.43 Amp <input type="checkbox"/>  | <input type="checkbox"/> 0.64 Amp <input type="checkbox"/>   | <input type="checkbox"/> 0.86 Amp <input type="checkbox"/>   |
| Maximum operating current <input type="checkbox"/>         | : <input type="checkbox"/> 0.50 Amp <input type="checkbox"/>  | <input type="checkbox"/> 0.75 Amp <input type="checkbox"/>   | <input type="checkbox"/> 1.00 Amp <input type="checkbox"/>   |
| <input type="checkbox"/>                                   |   |  |  |
| Available CFL types <input type="checkbox"/>               | : <input type="checkbox"/> 3U 4pin <input type="checkbox"/>   | <input type="checkbox"/> 3U 4pin <input type="checkbox"/>    | <input type="checkbox"/> 3U 4pin <input type="checkbox"/>    |
| <input type="checkbox"/>                                   | : <input type="checkbox"/> 6 Watt <input type="checkbox"/>  | <input type="checkbox"/> 9 Watt <input type="checkbox"/>     | <input type="checkbox"/> 12 Watt <input type="checkbox"/>    |
| Approximate lumen output <input type="checkbox"/>          | : <input type="checkbox"/> >240 lumen <input type="checkbox"/>  | <input type="checkbox"/> >360 lumen <input type="checkbox"/> | <input type="checkbox"/> >510 lumen <input type="checkbox"/> |
| <input type="checkbox"/>                                   |   |  |  |
| Nominal operating frequency <input type="checkbox"/>       | : <input type="checkbox"/> 48 kHz <input type="checkbox"/>  |  |  |
| Life time of tube (on-off cycles) <input type="checkbox"/> | : <input type="checkbox"/> >100,000 cycles <input type="checkbox"/>   |  |  |
| Life time of tube (burning hours) <input type="checkbox"/> | : <input type="checkbox"/> >10,000 hrs <input type="checkbox"/>   |  |  |
| Life time of electronic ballast <input type="checkbox"/>   | : <input type="checkbox"/> >50,000 hrs <input type="checkbox"/>   |  |  |
| <input type="checkbox"/>                                   | <input type="checkbox"/> The Multilight electronic ballast incorporates a pre-heating circuit, <input type="checkbox"/> |  |  |
| <input type="checkbox"/>                                   | <input type="checkbox"/> resulting in a very high number of cycles and burning hours. It also <input type="checkbox"/>  |  |  |
| <input type="checkbox"/>                                   | <input type="checkbox"/> reduces tube blackening. <input type="checkbox"/>  |  |  |
| <input type="checkbox"/>                                   |   |  |  |
| Other functionality <input type="checkbox"/>               | : <input type="checkbox"/> - High efficiency ( 85% ) <input type="checkbox"/>   |  |  |
| <input type="checkbox"/>                                   | <input type="checkbox"/> - Reverse polarity protection <input type="checkbox"/>   |  |  |
| <input type="checkbox"/>                                   | <input type="checkbox"/> - Replaceable tube with bayonet type connector <input type="checkbox"/>                        |  |  |
| <input type="checkbox"/>                                   | <input type="checkbox"/> - Protection for operation without tube <input type="checkbox"/>                               |  |  |

## Mechanical Specifications

- |  |   |
|--|---|
| Lamp Fixture Materials <input type="checkbox"/>          | : <input type="checkbox"/> black ABS handle, unbreakable polycarbonate cover, <input type="checkbox"/>      |
| <input type="checkbox"/>                                 | : <input type="checkbox"/> white melamine shade and galvanized mounting bracket <input type="checkbox"/>    |
| Product dimensions (Lxdiameter) <input type="checkbox"/> | : <input type="checkbox"/> 262 x 300mm <input type="checkbox"/>   |
| Net product weight <input type="checkbox"/>              | : <input type="checkbox"/> 0.87 kg <input type="checkbox"/>   |
| <input type="checkbox"/>                                 |   |
| Standard cable <input type="checkbox"/>                  | : <input type="checkbox"/> 10Am Round PVC flexible round electric cable (2x0.5mm2) <input type="checkbox"/> |
| Standard cable length <input type="checkbox"/>           | : <input type="checkbox"/> 4.0 meter <input type="checkbox"/>   |
| Available plug types <input type="checkbox"/>            | : <input type="checkbox"/> P0 / Without plug <input type="checkbox"/>                                       |
| <input type="checkbox"/>                                 | : <input type="checkbox"/> P1 / With 12VDC car lighter plug <input type="checkbox"/>                        |
| <input type="checkbox"/>                                 | : <input type="checkbox"/> P2 / With Sundaya DC plug <input type="checkbox"/>                               |
| <input type="checkbox"/>                                 | : <input type="checkbox"/> P4 / With battery clamps <input type="checkbox"/>                                |
| <input type="checkbox"/>                                 |   |
| Standard packaging <input type="checkbox"/>              | : <input type="checkbox"/> 1 pc. per inner box / 12 pcs. per carton <input type="checkbox"/>                |
| Packaging Dimensions (LxWxH) <input type="checkbox"/>    | : <input type="checkbox"/> 620 x 315 x 380 mm <input type="checkbox"/>                                      |
| Gross weight <input type="checkbox"/>                    | : <input type="checkbox"/> 14.0 kg <input type="checkbox"/>   |
| Volume / Pcs. per m3 <input type="checkbox"/>            | : <input type="checkbox"/> 0.074 m3 / 13.5 boxes per m3 <input type="checkbox"/>                            |



Because of continuous research and development of our products the information and specifications in this data sheet are subject to change without prior notice.