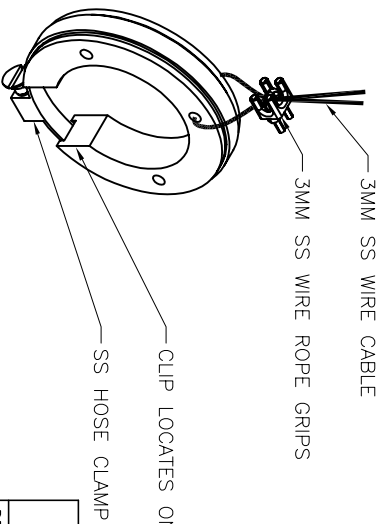


**ISO VIEW DETAIL
CLAMP CONNECTION**



SIDE VIEW

CABLE & ELECTRODE
MUST BE AT THE BOTTOM
SO THAT ELECTRODE
REMAINS (ALL PUMPS)

END VIEW

Item	Description
1	SQ FLEX FLOAT
2	MOORING CONNECTION POINT
3	END MOTOR CONNECTION POINT
4	MID MOTOR CONNECTION POINT
5	CENTRIFUGAL PUMP CONNECTION POINT
6	HELICAL ROTOR PUMP CONNECTION POINT

ALL DIMENSIONS IN MILLIMETRES

DRN: P.HODGSON DATE: 04/07/05

SCALE: 1:5

THIS IS THE PROPERTY OF GRUNDFOSS PUMPS AUSTRALIA AND MUST NOT BE COPIED OR COMMUNICATED TO A THIRD PARTY UNLESS AUTHORIZED IN WRITING BY GRUNDFOSS PUMPS

GRUNDFOSS
TEL. 08 8461 4611 FAX. 08 8340 0155 ACN. 007 920 765

TITLE: SQF PUMP & FLOAT ASSEMBLY INSTRUCTIONS

SIZE: A3 DRG NO: MDT0506171145_1 ISSUE: A

DATE	DESCRIPTION	DRN	ISSUE
1			
2			
3			
4			
5			
6			