

AUTOMATIC AC TRANSFER SWITCH

25 Amp 3 Way & 40 Amp 2 Way



Features

- Weatherproof Enclosure
- Double Pole Switching
- Complies with Marine & Mobile Wiring Standards
- Designed and Manufactured in Australia
- 2 year Warranty
- Fast Transfer Time
- Indicators for each Power Source
- Prioritised Switching
- Voltage Sensing on Primary Input

Specifications

Input Voltage	200-270Vac
Max Current	ACTS2 – 40 Amps ACTS3 – 25 Amps
Operating Temperature	-10°C to +50°C
AC Connections	Terminal Block
Transfer Time	< 20m Seconds
Standards	AS3100, AS3001, C-Tick
Enclosure Rating	IP55
Enclosure	Flame Retardant PVC
Dimensions	170 x 135 x 85mm

Model	AC Inputs	Current
ACTS3	3	25 Amp
ACTS2	2	40 Amp

Special Features of AC1 - Input also has voltage sensing and time delays specifically designed for Generator use. The Generator input voltage must be within 200-270Vac and there is a 30 second time delay to ensure the Generator has warmed up and the voltage is stable before the output is switched to AC1. The voltage is continuously monitored and in the unlikely event it becomes unstable and goes outside the limits, the output will be transferred to another source until the AC1 voltage stabilises.

LATRONIC SUNPOWER PTY LTD

TEL 61 7 5491 6988

FAX 61 7 5491 6792

EMAIL sales@latronics.com.au

WEB www.latronics.com.au



ACTS 40amp 2 way

AC1 Indicator

OFF No Power present.
 FAST FLASH AC Voltage out of range.
 SLOW FLASH AC Voltage OK and Delay Timer ON
 1 Flash per second.
 ON Power switched through to Output.

Indicators

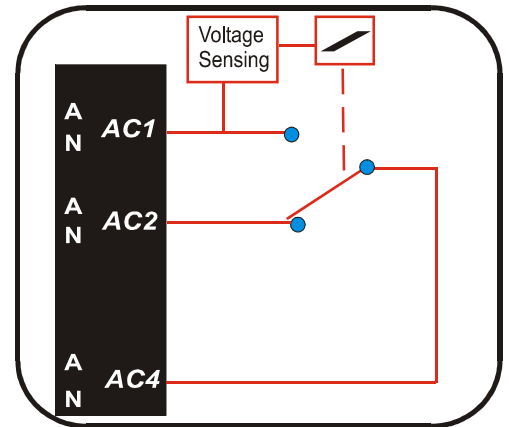
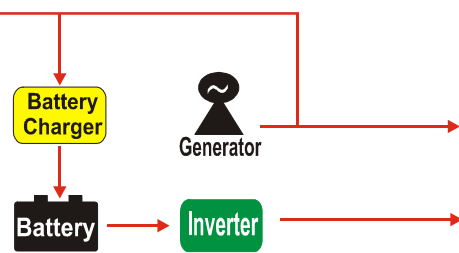
OFF No Power present.
 ON Power Available



Non Essential Circuit
 e.g Hot Water
 Air Conditioning

Suggested Wiring

Output Circuit
 e.g GPO
 lights



ACTS 25amp 3 way

AC1 Indicator

OFF No Power present.
 FAST FLASH AC Voltage out of range.
 SLOW FLASH AC Voltage OK and Delay Timer ON
 1 Flash per second.
 ON Power switched through to Output.

Indicators

OFF No Power present.
 ON Power Available



Non Essential Circuit
 e.g Hot Water
 Air Conditioning

Suggested Wiring

Output Circuit
 e.g GPO
 lights

