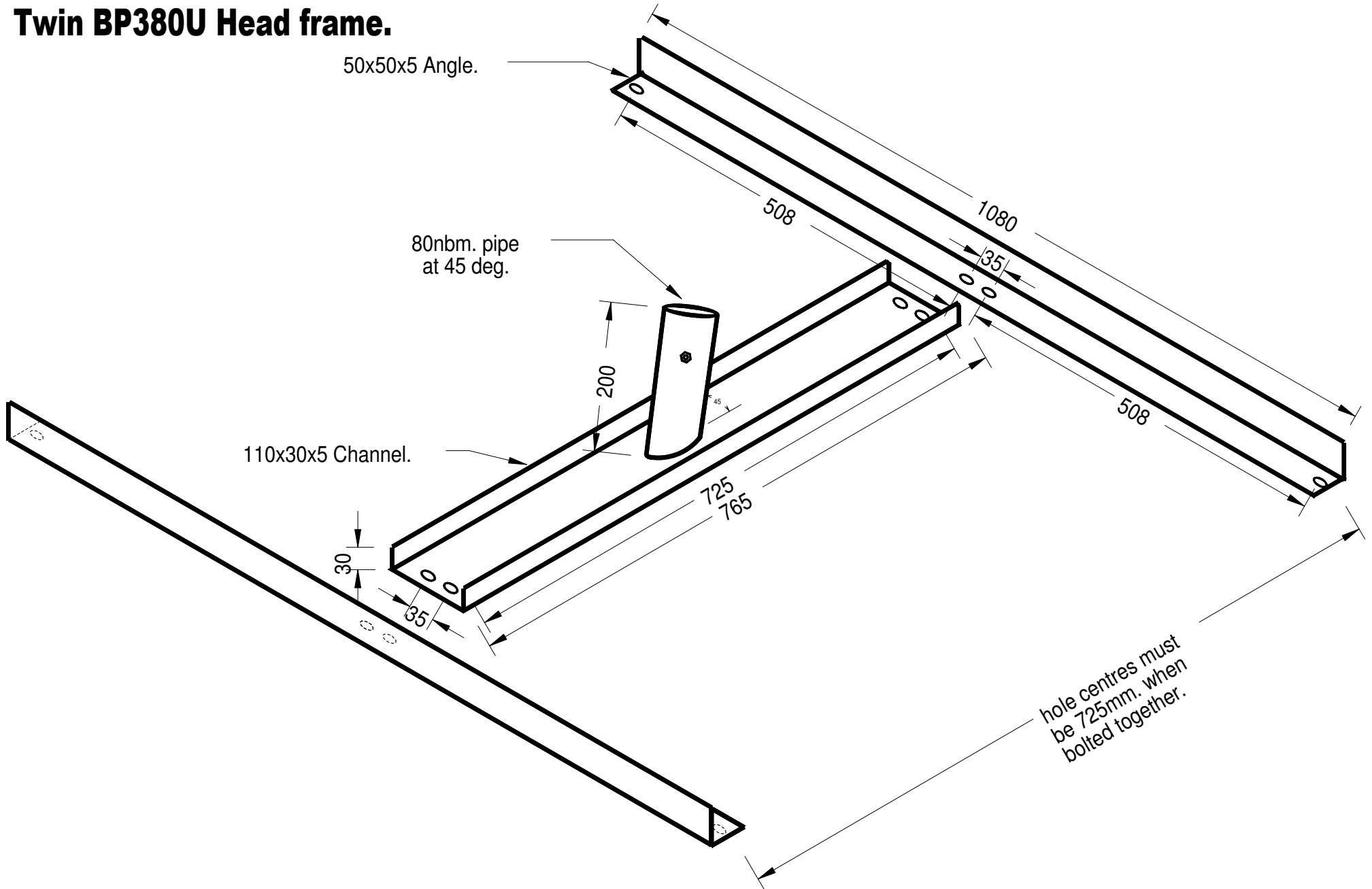


Twin BP380U Head frame.

50x50x5 Angle.

80nm. pipe
at 45 deg.

110x30x5 Channel.



hole centres must
be 725mm. when
bolted together.