

General Specifications

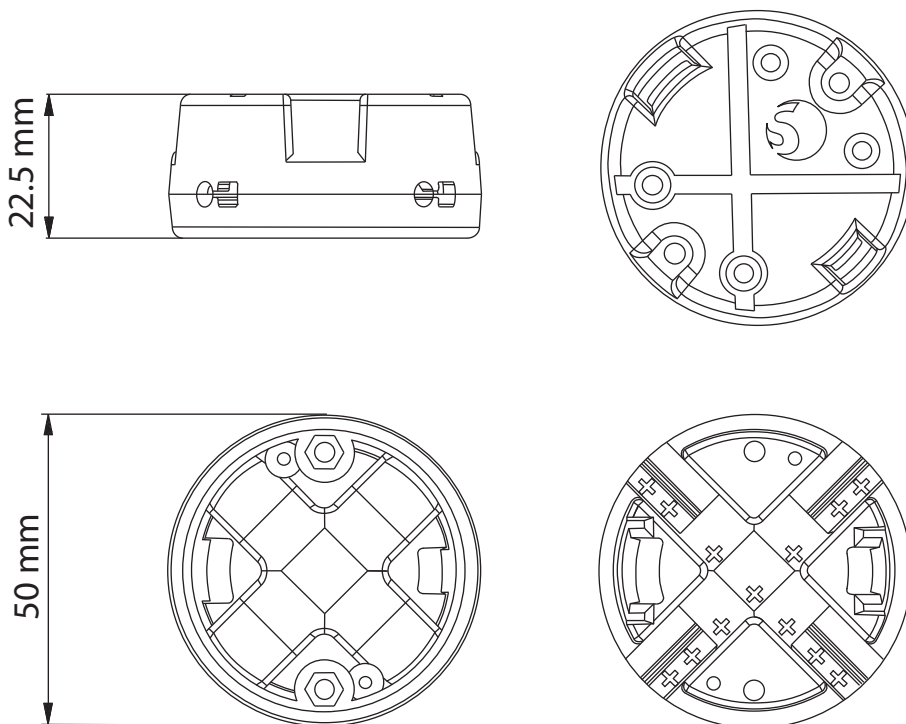
Product name	: T-Con
Product description	: Terminal Connector
	: For use with Sundaya DCS Cables only.

Electrical Specifications

Rated Voltage	: 300 V
Rated Current	: 50A
Insulation withstand Voltage	: AC 3000 V at 1 minute
Insulation Resistance	: 500 M Ω or more at 500 VDC

Mechanical Specifications

Plastic Housing Materials	: ABS HAILACS N150UV, UL 94 HB, Black
Connector and terminal material	: Brass strip 0.8 x 4mm, Nickel plated (low resistance)
Screw material	: Brass, M3 Hexagonal Screw, Nickel plated (low resistance)
Maximum Torque Value	: 8 Kg / cm ²
Product dimensions (ØxH)	: 50 x 22.5mm
Nett product weight	: 0.030 kg



T-Con
Specifications sheet