

General Specifications

Product name	: EPACK 60kJ
Product description	: Cylindrical Lithium Ion Rechargeable Cell Batteries Pack for use with Sundaya Ulitium Series

Electrical Specifications

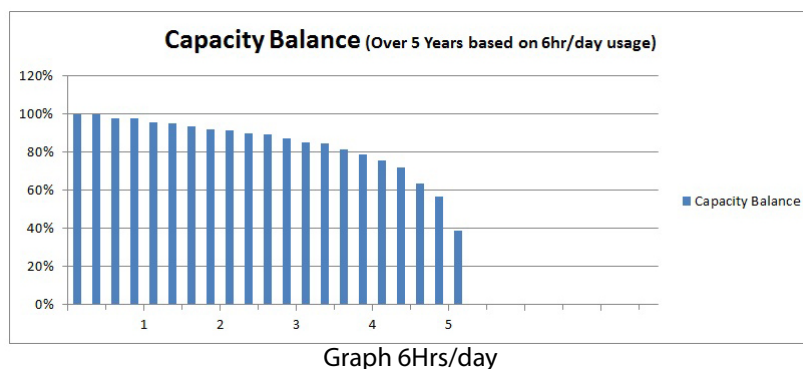
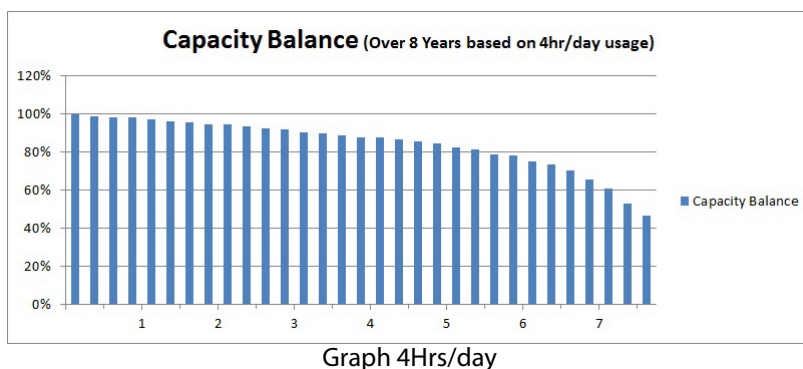
Nominal Voltage	: 7.4 V
Discharge Cut-off Voltage	: 6.0 V
Max. Charge Votage	: 8.4 +/- 0.05 V
Internal Impedance	: <70 mOhm
Nominal Capacity	: 2200 mA (1.1A Dischage)
Minimum Capacity	: 2150 mA (1.1A Dischage)
Energy Storage	: 60 kJoule
Operating Temperature	:
- Charge	: 0°C to +45°C
- Discharge	: -20°C to +60°C
Storage Temperature	:
- During 1 Month	: -5°C to +35°C
- During 6 Month	: 0°C to +35°C

Mechanical Specifications

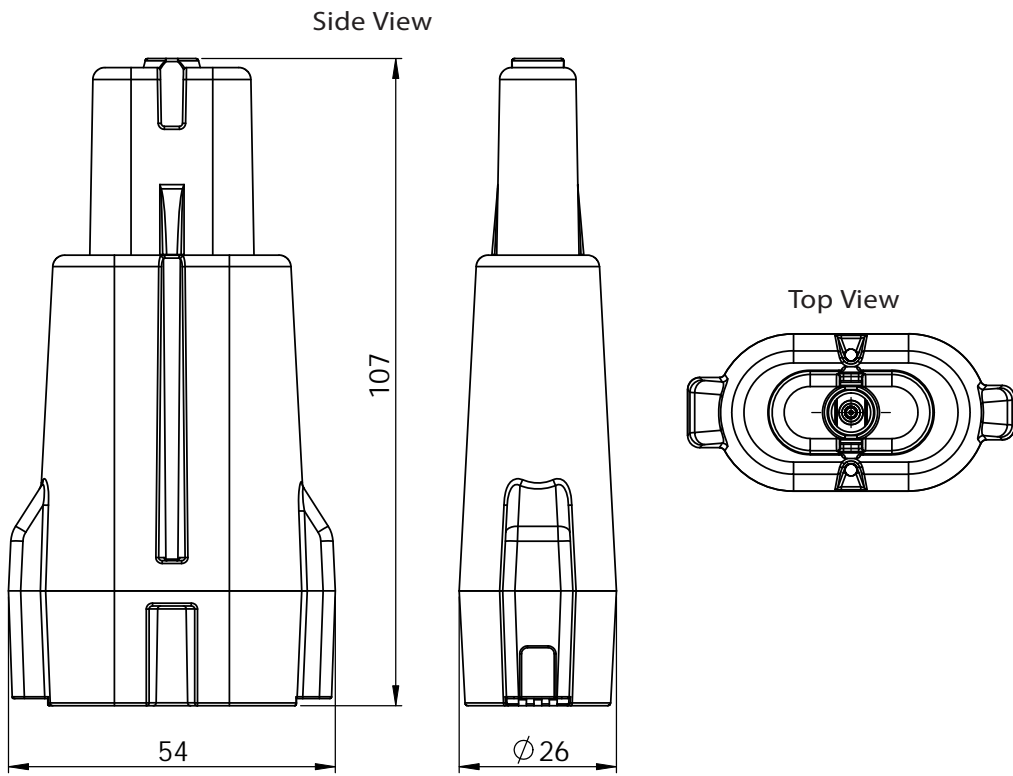
Plastic Housing Materials	: ABS N150UV, V-0,
Plastic Housing Color	: Black
Connector and terminal material	: Brass strip 0.8 x 4mm, Nickel plated (low resistance)
Screw material	: Brass, M1 Philip Screw
Maximum Torque Value	: 8 Kg / cm2
Product dimensions (LxWxH)	: 54x26x107mm
Nett product weight	: 0.115 kg

The Epack60kJ has been extensively tested for charge discharge cycles based on actual performance parameters in combination with Ulitium200 Management electronics. The life of the battery pack depends on how much energy gets discharged from the battery over time; and therefore the performance also depends on how many hours the lamp is used each day and at what brightness level.

The 2 graphs below are based on 4hours per day and 6 hours per day in the Ulitium200 at Maximum brightness level of 220Lm.



Mechanical Product Drawing



EPACK 60 kJ

Specifications sheet