

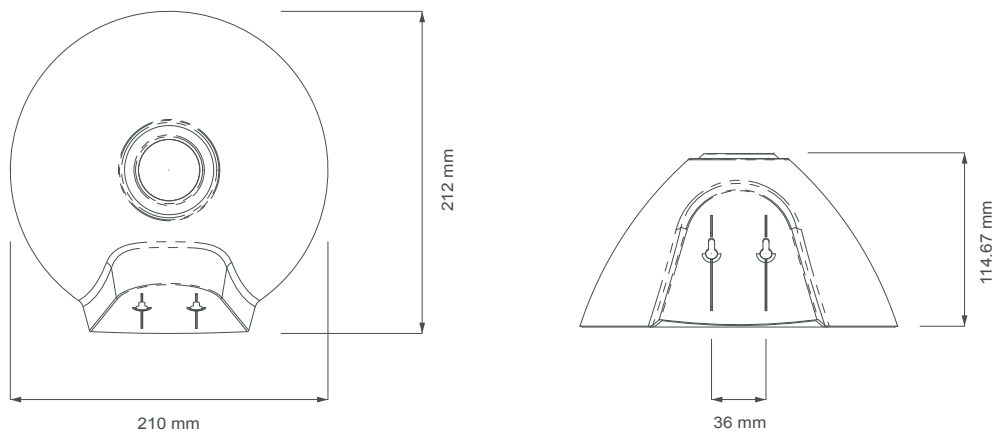
General Specifications

Product name : Wally
Product description : Wall mountable shade
 : For use with standard e17 range only.

Mechanical Specifications

Lamp Fixture Materials : white ABS (UV stabilized)
Product dimensions (LxWxH) : 212 mm (l) x 210 mm (w) x 115 mm (h)
Nett product weight : 0.117 kg

Standard packaging : 12 pcs.
Packaging Dimensions (LxWxH) : 223 x 212 x 213 mm
Gross weight : 1.62 kg
Volume / Pcs. per m3 : 0.010 m3 / 100 boxes per m3



Because of continuous research and development of our products the information and specifications in this data sheet are subject to change without prior notice.