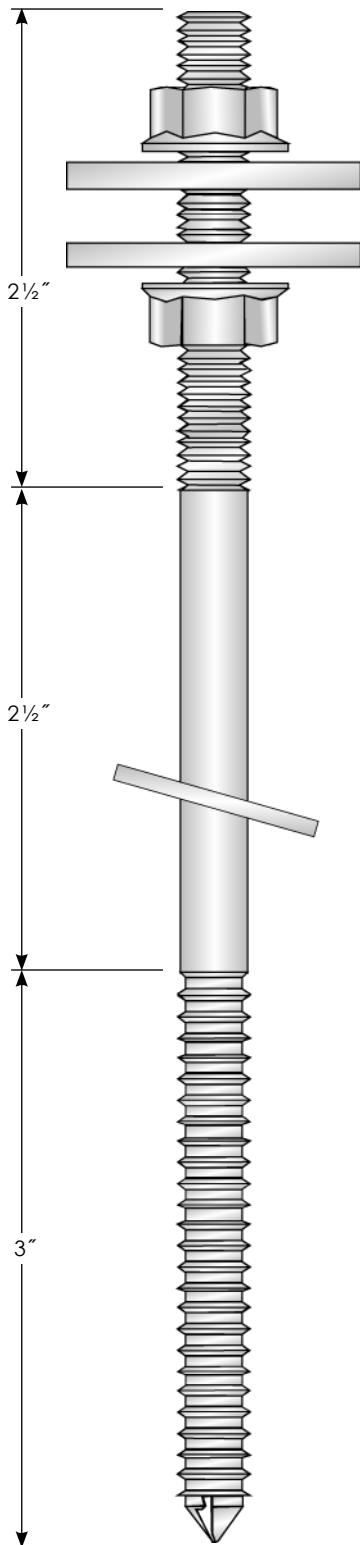


# Hanger Bolt Assembly

UniRac Part No. 310025

## Installation Sheet 209.1



Thank you for purchasing a UniRac product. Please review these instructions completely before proceeding.

Hanger bolts are designed to install SolarMount™ or SunFrame™ rail sets above tile or metal corrugated roofs.

The installer is solely responsible for:

- Complying with all applicable local or national building codes, including any that may supersede this manual;
- Ensuring that UniRac and other products are appropriate for the particular installation and the installation environment;
- Ensuring that the roof, its rafters, connections, and other structural support members can support the array under building live load conditions;
- Using only UniRac parts and installer-supplied parts as specified by UniRac (substitution of parts may void the warranty);
- Maintaining the waterproof integrity of the roof; and
- Ensuring safe installation of all electrical aspects of the PV array.



Driver (sold separately)  
UniRac part no. 310026

### Parts List

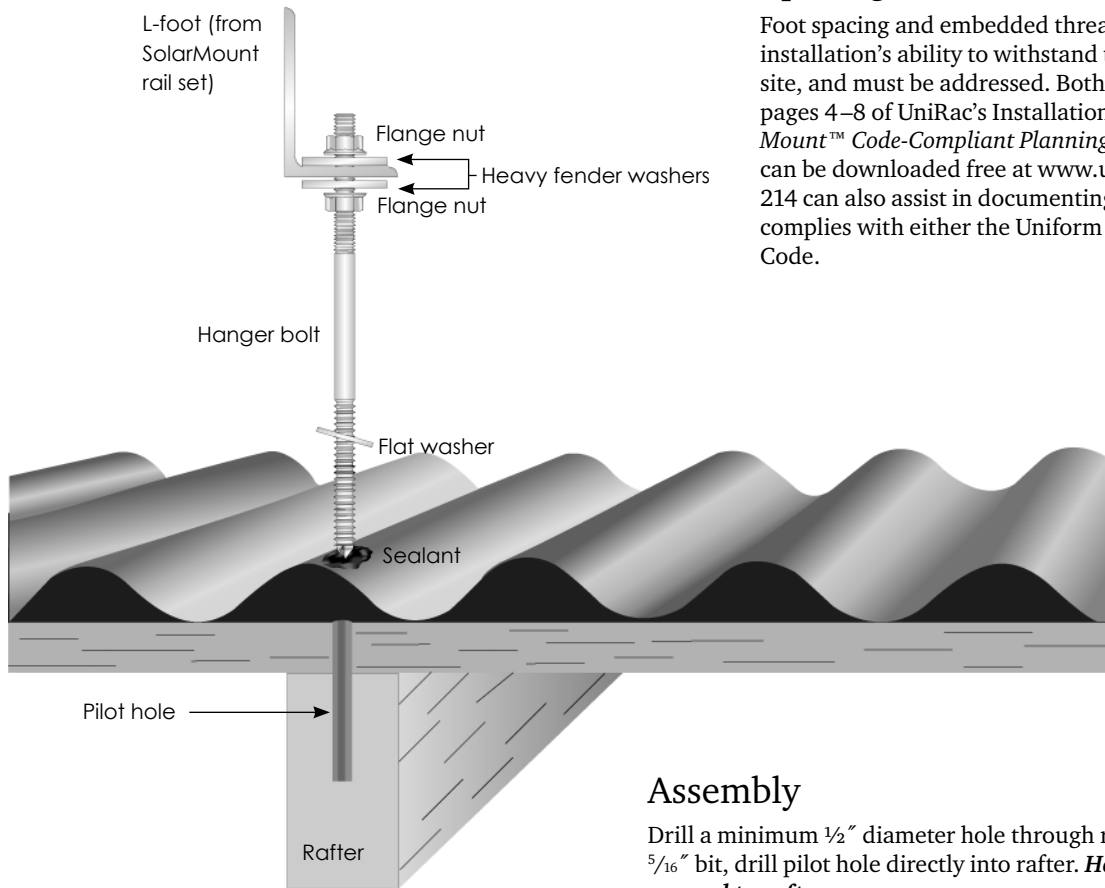
All items are stainless steel.

	Qty.	Wrench size	Recommended torque (ft-lbs)
Hanger bolt, 3/8" x 8"	1		
Flange nut, 3/8"	2	9/16"	30
Heavy fender washer	2		
Flat washer	1		

**Caution:** Stainless steel hardware can seize up, a process called galling. To significantly reduce the likelihood of galling, SAF-T-EZE anti-seize lubricant has been included with your hardware. Apply a small drop to the threads of all bolts before installation. If more anti-seize is needed, substitute any lubricant.

### Spacing and thread embedment

Foot spacing and embedded thread depth affect your installation's ability to withstand the wind load at your site, and must be addressed. Both issues are covered on pages 4–8 of UniRac's Installation Manual 214, *SolarMount™ Code-Compliant Planning and Assembly*, which can be downloaded free at [www.unirac.com](http://www.unirac.com). Manual 214 can also assist in documenting that your design complies with either the Uniform or California Building Code.



### Assembly

Drill a minimum 1/2" diameter hole through roofing material. With 5/16" bit, drill pilot hole directly into rafter. **Hanger bolts must be secured to rafters.**

Using driver, insert bolt in pilot hole.

Seal hole with roofing cement or other appropriate roofing sealant. Use flat washer to help create a watertight seal.

Using heavy washers and flange nuts, secure the L-foot from your SolarMount rail kit above roofing material. When all L-feet are aligned, torque the top flange nut to 30 foot-pounds.

## 10 year limited Product Warranty

UniRac, Inc., warrants to the original purchaser ("Purchaser") of product(s) that it manufactures ("Product") at the original installation site that the Product shall be free from defects in material and workmanship for a period of ten (10) years, from the earlier of 1) the date the installation of the Product is completed, or 2) 30 days after the purchase of the Product by the original Purchaser. This Warranty does not cover damage to the Product that occurs during its shipment, storage, or installation.

This Warranty shall be VOID if installation of the Product is not performed in accordance

with UniRac's written installation instructions, or if the Product has been modified, repaired, or reworked in a manner not previously authorized by UniRac IN WRITING, or if the Product is installed in an environment for which it was not designed. UniRac shall not be liable for consequential, contingent or incidental damages arising out of the use of the Product by the Purchaser under any circumstances.

If within the specified Warranty period the Product shall be reasonably proven to be defective, then UniRac shall repair or replace the defective Product, or any part thereof,

in UniRac's sole discretion. Such repair or replacement shall completely satisfy and discharge all of UniRac's liability with respect to this limited Warranty. Under no circumstances shall UniRac be liable for special, indirect or consequential damages arising out of or related to use by Purchaser of the Product.

Manufacturers of related items, such as PV modules and flashings, may provide written warranties of their own. UniRac's limited Warranty covers only its Product, and not any related items.



THE NEW STANDARD IN PV MODULE RACKS™