

## Technical Specifications: Satellite™ Series LED Roadway Luminaire SAT-24S (24 LEDs)

### Electrical

Available Driver Currents	280mA	350mA	450mA	525mA	600mA
Power Consumption*	22W	28W	36W	44W	50W

Input Voltage: Universal Driver 120 to 240 VAC, 50Hz or 60Hz; 277V, 347V, 480V, and 12-24V DC drivers available upon request.

### Fixture

Weight	8.2 kg	18 lb
Width (maximum)	382 mm	15.0 in
Length (maximum)	411 mm	16.2 in
Height (maximum)	167 mm	6.57 in
EPA	< 0.047m <sup>2</sup>	< 0.509 sq ft <sup>2</sup>

Cover Lens	Acrylic
Housing	Single piece, die-cast aluminum
Mounting	1.625" to 2.375" / 42 to 60 mm OD tenons

### Finish

Standard	Painted Finish*
----------	-----------------

\* E-coat primer with durable polyester powdercoat topcoat.

### Performance / Photometrics

Available Driver Currents	280mA	350mA	450mA	525mA	600mA
LM-79 Fixture Efficacy (Type II)*	102Lm/W	96Lm/W	93Lm/W	90Lm/W	86Lm/W
Fixture Output (Type II)*	2,150Lm	2,550Lm	3,200Lm	3,750Lm	4,150Lm
LED L70 @ 350mA	>100,000 hours				
Distribution	Type II, Type II Medium, Type II Wide, Type III, ANZ, European Wide, European Narrow.				
Color Temperature (CCT)	Standard 5,000 K <i>Other colors available upon request</i>				
Color Rendering Index (CRI) at 70 (+/-5%)					

### Operating Conditions

Temperature (ambient)	-40°C to +60°C	-40°F to +140°F
-----------------------	----------------	-----------------

### Photocell Options

Photocell Receptacle with shorting cap
Photocell – 20 yr design life option available
No Photocell Receptacle - solid casting

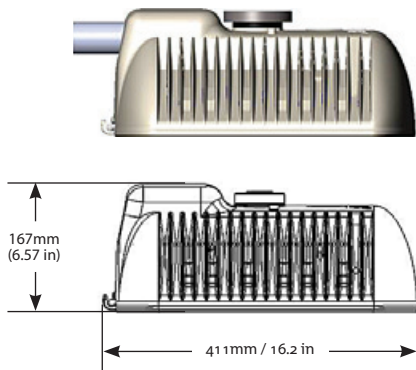


Figure 1 – Luminaire side profile\*\*

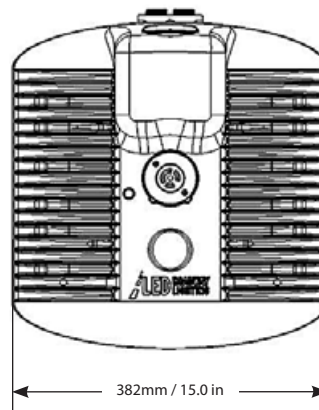


Figure 2 – Luminaire top\*\*

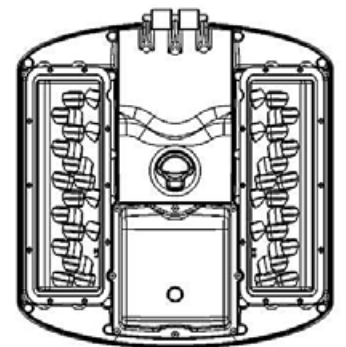


Figure 3 – Luminaire bottom\*\*

\* Values shown are nominal values and are subject to +/-5% tolerance

\*\* SAT-48S illustrated