

Technical Specifications: Satellite™ Series LED Roadway Luminaire SAT-48S (48 LEDs)

Electrical

Available Driver Currents	280mA	350mA	450mA	525mA	600mA
Power Consumption*	43W	55W	72W	88W	100W

Input Voltage: Universal Driver 120 to 240 VAC, 50Hz or 60Hz; 277V, 347V, 480V, and 12-24V DC drivers available upon request.

Fixture

Weight	8.2 kg	18 lb
Width (maximum)	382 mm	15.0 in
Length (maximum)	411 mm	16.2 in
Height (maximum)	167 mm	6.57 in
EPA	< 0.047m ²	< 0.509 ft ²

Cover Lens	Acrylic
Housing	Single piece, die-cast aluminum
Mounting	1.625" to 2.375" / 42 to 60 mm OD tenons

Finish

Standard Painted Finish*
* E-coat primer with durable polyester powdercoat topcoat.

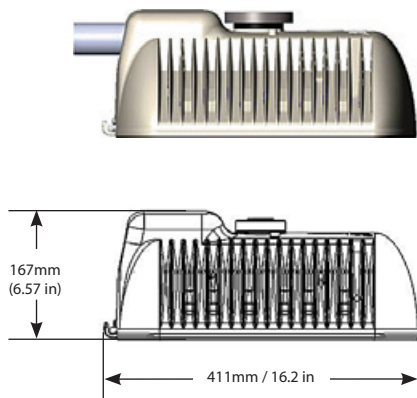


Figure 1 – Luminaire side profile**

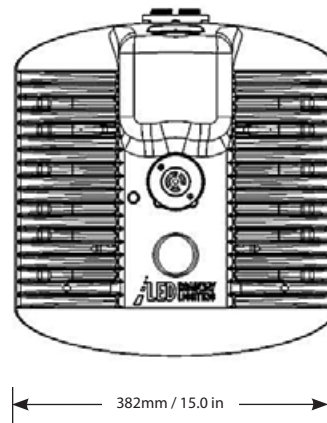


Figure 2 – Luminaire top**

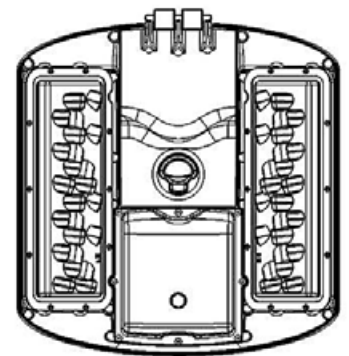


Figure 3 – Luminaire bottom**

Performance / Photometrics

Available Driver Currents*	280mA	350mA	450mA	525mA	600mA
LM-79 Fixture Efficacy (Type II)*	99Lm/W	95Lm/W	93Lm/W	88Lm/W	84Lm/W
Fixture Output (Type II)*	4,200Lm	5,100Lm	6,550Lm	7,600Lm	8,400Lm

LED L70 @350mA >100,000 hours
Distribution Type II, Type II Medium, Type II Wide, Type III, ANZ, European Wide, European Narrow.

Color Temperature (CCT) Standard 5,000 K
Other colors available upon request.

Color Rendering Index (CRI) at 70 (+/-5%)

Operating Conditions

Temperature (ambient)	-40°C to +60°C	-40°F to +140°F
-----------------------	----------------	-----------------

Photocell Options

Photocell Receptacle with shorting cap

Photocell – 20 yr design life option available

No Photocell Receptacle - solid casting

* Values shown are nominal values and are subject to +/-5% tolerance

** SAT-48S illustrated