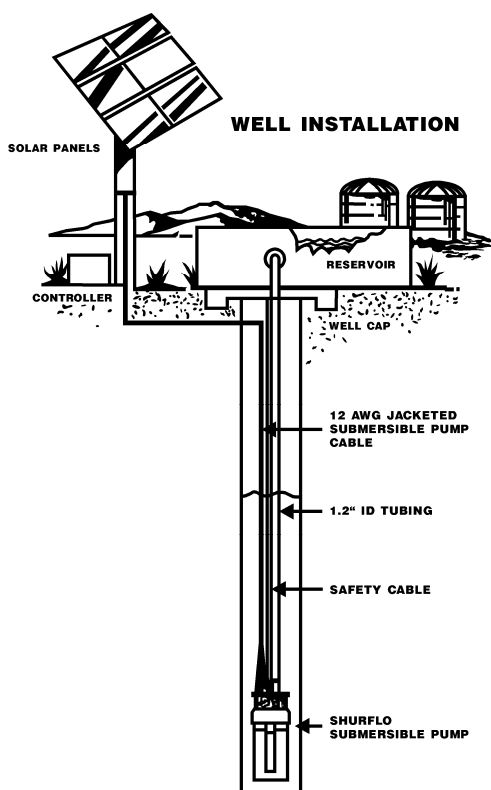


SHURflo solar submersible bore pump



SHURflo 9325 solar powered submersible pumps are rugged, durable and ideal for remote homes and cabins, irrigation, livestock watering and ponds.

The SHURflo 9325 DC pump design features:

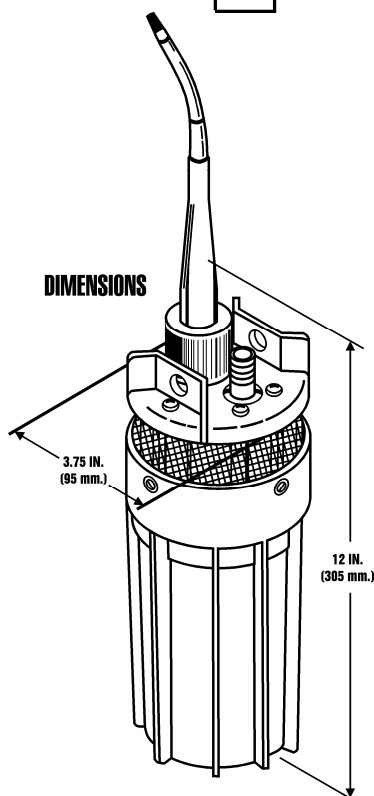
- Works from solar modules without battery storage via a Pumping Maximiser. The LCB-G (902-200) [PMP-S04-P03] maximiser handles both 12V & 24V and comes with a float switch terminal.
- Fits in 4" or larger well casing.
- Lightweight (2.7 kg) strong construction.
- Corrosion proof housing with stainless steel fasteners.
- Dry running capability without pump damage.
- Internal bypass feature for pump protection.
- Hard wearing 'santoprene' diaphragms.
- Heavy duty motor.
- Easy to service.

Poly-propylene rope [PMP-S04-P06] and waterproof submersible cable [PMX-G25] is available at cut lengths.

Note: Delivery pipe is not included.

Pump Specifications:

RPC Code#	PMP-S04
Pump Design	Positive Replacement 3 chamber diaphragm pump
Cam	3°
Motor	Permanent Magnet P/N 11-175-00 Thermally Protected
Voltage	12V or 24V DC
Amps	4.1A
Internal Bypass	105 – 110 PSI Max.
Maximum Lift	70 metres
Max. Submersion	30 metres
Outlet Port	1/2" barbed fitting for 1/2" ID tubing
Inlet	50 mesh stainless steel screen
Materials	high strength engineered plastics, s/s fasteners



Solar Pump Systems:

Solar Array	Voltage	Lift in metres	Litres per hour
1 x 20W	12V	6	200
1 x 30W	12V	12	205
1 x 40W	12V	30	186
1 x 60W	12V	54	163
1 x 80W	12V	70	136
2 x 30W	24V	6	440
2 x 40W	24V	18	400
2 x 60W	24V	48	370
2 x 80W	24V	70	310



RAINBOW POWER COMPANY LTD

Designers and Installers of Solar Systems since 1987

1 Alternative Way (PO Box 20240)

tel: (02) 6689 1430

international: +61 2 6689 1088

email: sales@rpc.com.au

A.B.N. 74 003 323 420

Nimbin NSW 2480 Australia

fax: (02) 6689 1109

international: +61 2 6689 1109

website: www.rpc.com.au

Lic:198555C (NSW). 69172 (Qld)