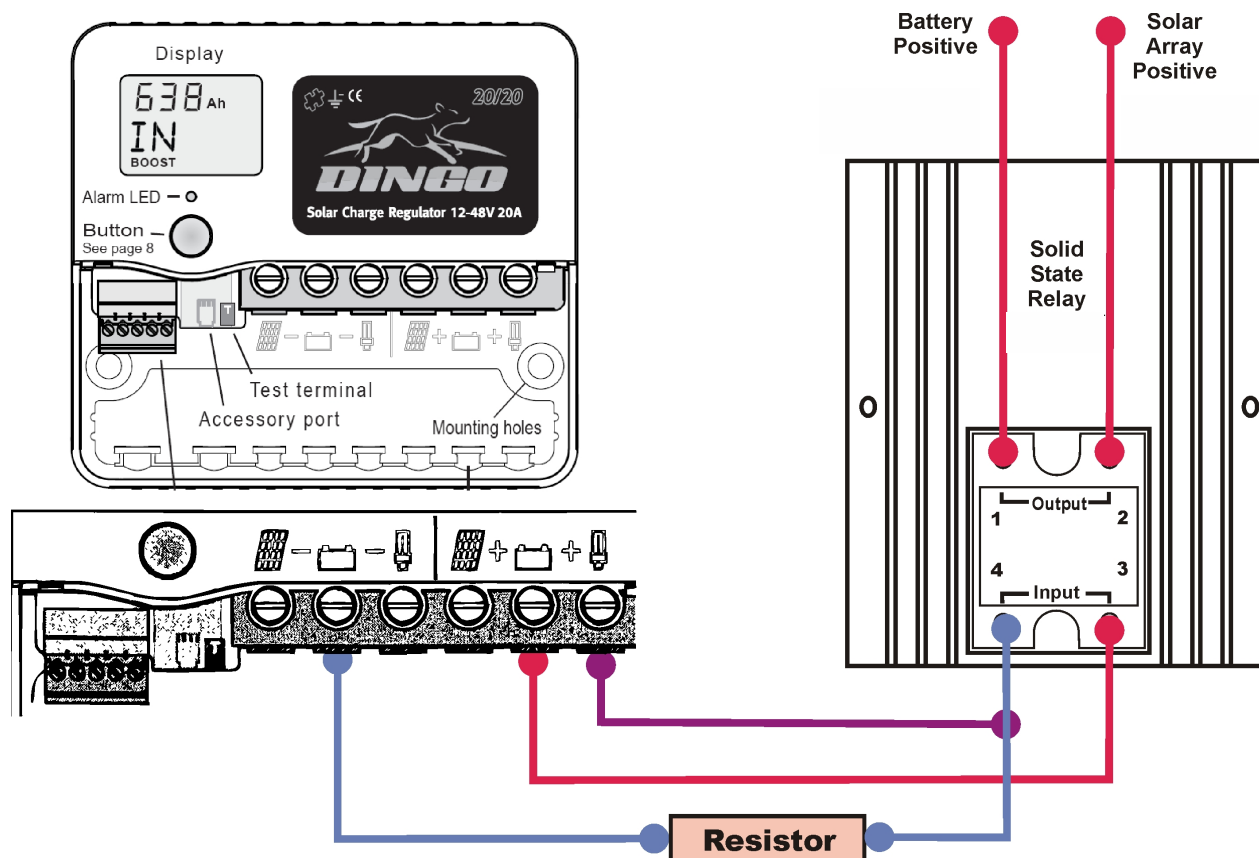


# Plasmatronics Dingo 20

## Adding a 40A Relay to a 12V System



### Increasing the Charging Capability of Your Plasmatronics Dingo 20 Regulator

This configuration is used to handle currents higher than your existing regulator's maximum rating without having to replace your regulator with a larger one. Extra strings of 12V panels (up to 40 amps per relay) are connected to the battery bank as follows:

The battery positive wire is connected to terminal '2+' on the relay, and terminal '1' is connected to the extra solar array positive (assuming the initial solar array is being regulated directly by the Dingo regulator). The normal operation of the regulator is thus duplicated at the relay. The regulator program settings and the value of the resistor are as follows:

**(Regulator is set to PROG: 4, LSET: 10, PWM: 3)  
(Resistor value of 820 $\Omega$ , 5W is supplied)**

*Note: If you wish the regulator to measure the current going through the relay, then a Plasmatronics shunt adapter and external shunt will be required. The Load terminal can also be used to turn DC loads on (refer to Dingo manual for current limit) whilst turning the relay off (the relay switches in reverse). For 12 volt systems only.*



## RAINBOW POWER COMPANY LTD

Designers and Installers of Solar Systems since 1987

1 Alternative Way (PO Box 20240)

tel: (02) 6689 1430

international: +61 2 6689 1088

email: sales@rpc.com.au

A.B.N. 74 003 323 420

Nimbin NSW 2480 Australia

fax: (02) 6689 1109

international: +61 2 6689 1109

website: www.rpc.com.au

Lic:198555C (NSW). 69172 (Qld)