

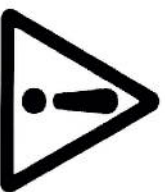
Contents

1. General description
2. Applications
3. Components
4. Assembly
5. Installation
6. Dimensions
7. Contact Information
8. Exploded View

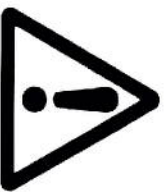
3. Components

This package contains:

Quantity	Description
1	Pump Float Cover
4	M8 x 30 Bolt
4	M8 x 60 Set Screw
12	M8 Washer
4	M6 x 20 Bolt
1	Adapter Plate
4	M6 Nut
1	Pump Float Base
4	M8 Nut
4	M6 Washer
4	M6 x 16 Bolt
1	Screen Filter



Warning
Prior to installation, read these installation and operating instructions.
Installation and operation must comply with local regulations and accepted codes of good practice.



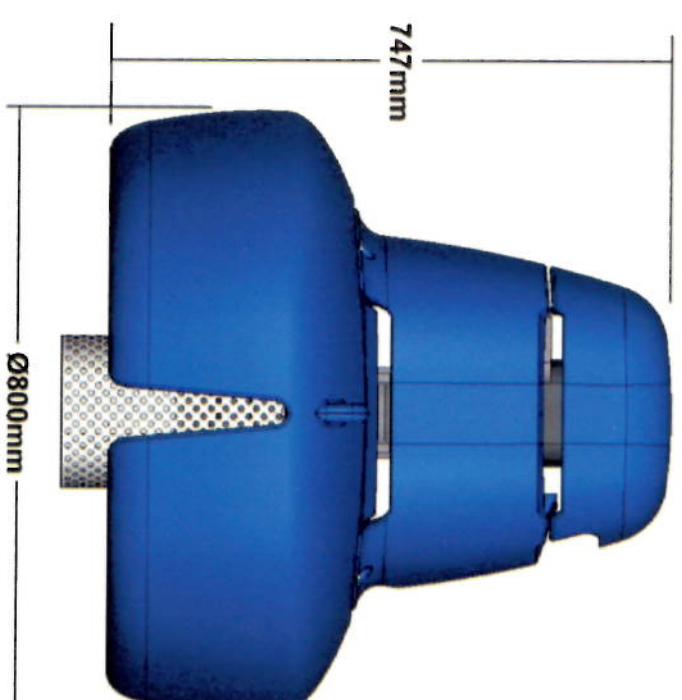
Warning
The use of this product requires experience with and knowledge of the product. Persons with reduced physical, sensory or mental capabilities must not use this product, unless they are under supervision or have been instructed in the use of the product by a person responsible for their safety. Children must not use or play with this product.

1. General Description
Grundfos MTRFlex Floating Pump is designed for transfer of still surface water (eg. Dam) by solar, wind, generator, or a combination of power sources.

2. Applications
The MTRFlex is designed to pump clean water free from fibres. All wetted parts in contact with the water are made from high grade stainless steel.

BE > THINK > INNOVATE >

6. Dimensions



7. Contact Information

For assistance with Installation / Operation, please contact Grundfos Pumps:

Grundfos Pumps Pty Ltd
515 South Road
Regency Park SA 5034
www.grundfos.com.au
Email: contact-au@grundfos.com
Tel: +61 8 8461 4611
Fax: +61 8 8340 2293

5. Installation
Use two support ropes in the lugs provided. Carefully place the float in the water. Tie off support ropes – ready for operation.

1. Attach the adapter plate to pump using M6x20 bolt and nut (MTRF 3-9 and MTRF 5-5 ONLY)
2. Attach the adapter plate and pump to the float using M8x60 bolt, washers and nut
3. Attach the screen using the M6 x Bolt to the base of the float
4. Attach the float top to the base using M8 x 30 and washers

GRUNDFOS

BE > THINK > INNOVATE >

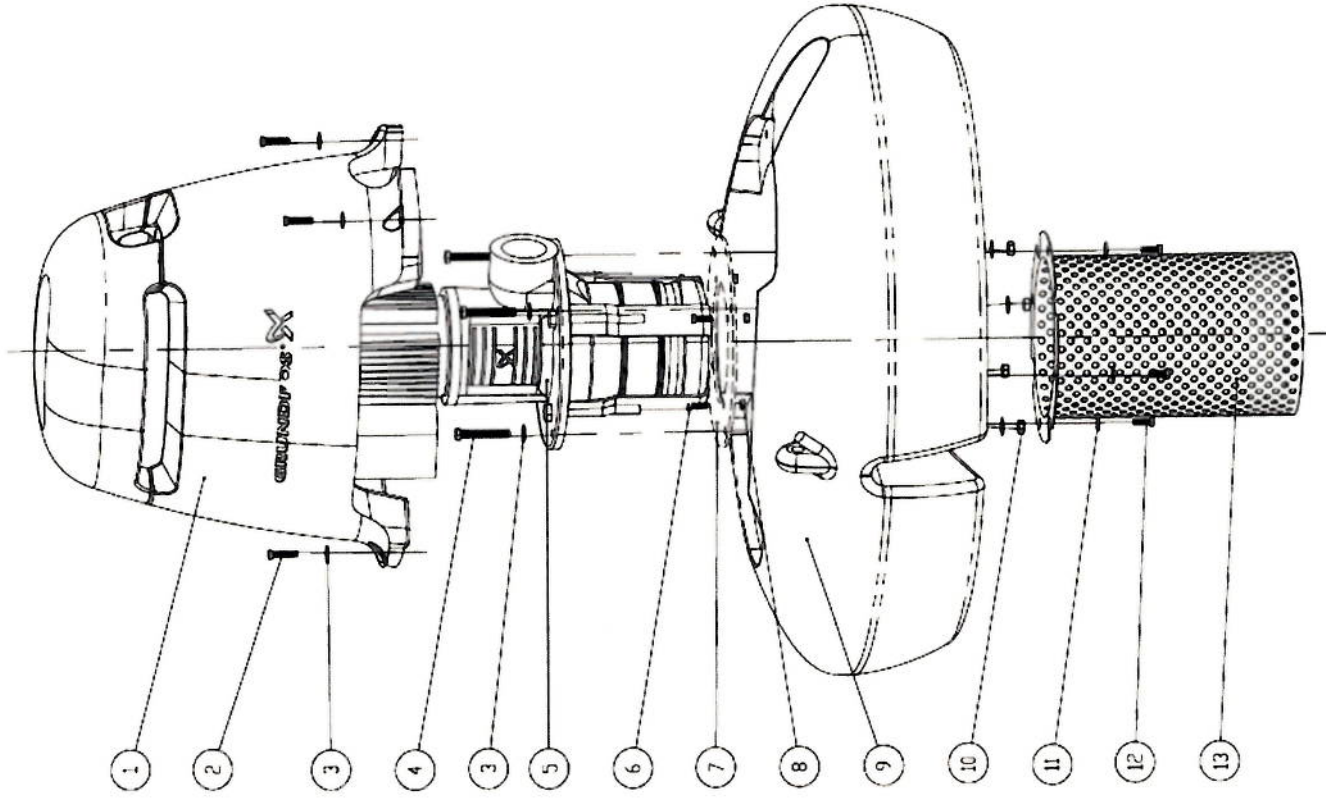
GRUNDFOS

MTR Flex Floating Pump

Installation and operating instructions

8. Exploded View

Item	Description	Item	Description
1	Pump Float Cover	8	M6 Nut
2	M8 x 30 Bolt	9	Pump Float Base
3	M8 Washer	10	M8 Nut
4	M8 x 60 Set Screw	11	M6 Washer
5	Grundfos Pump	12	M6 x 16 Bolt
6	M6 x 20 Bolt	13	Screen Filter
7	Adaptor Plat		



GPM01023 07/12

