

PUMProtector

Inlet and Universal Strainers

Simplify Cleaning and Maintenance

Pump protection made easy by Johnson Pump



- Assure long, trouble-free pump operation
- Strainers visible through transparent covers
- Covers can be twisted off with one hand
- Easy to install and remove for thorough cleaning thanks to KlickTite™ port connectors (available for all hose standards)
- Make it easier to drain and winterize the pump system
- 2 mesh sizes (suitable for fresh, salt or gray water)
- Materials comply with ANSI/NSF Standard 61, “Drinking Water System Components – Health Effects”, for use up to +30°C.

All wash-down and water-system strainers are designed to prevent debris and other particles from damaging the pump or passing through the system to the final outlet. The new PUMProtector™ inlet and universal strainers from Johnson Pump are also designed to make your life simpler.

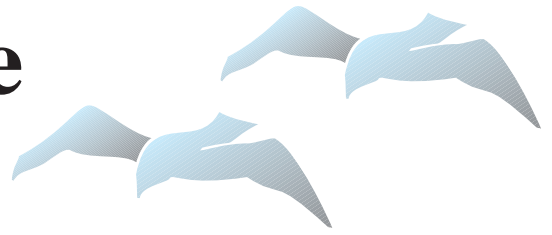
Both of these new strainers feature transparent covers for simple inspection, a wide variety of KlickTite™ port connectors for simple installation and removal, and high quality materials for simple maintenance. The new design and connectors make it possible to remove the entire unit for thorough cleaning wherever it's most convenient.

The PUMProtector™ inlet strainer can be attached directly to any AquaJet™ pump with a built-in KlickTite™ port connector. The universal strainer, on the other hand, requires connection to no specific line of pumps and can be installed securely with just two screws, wherever in the system it might fit best.

All materials used in PUMProtector™ strainers comply with ANSI/NSF Standard 61 for drinking water system components. A 40 mesh cylindrical trap is included with the inlet strainer and, depending on the application for which it is to be used, either a 40 or 20 mesh cylinder can be chosen for the universal strainer.

A wide variety of different hose connections are made possible by the KlickTite™ port connectors, which also make system draining and winterizing a snap. Compact design, high quality materials and a wide variety of port configurations are just part of the story. Easy installation, inspection, cleaning and removal all make the two new PUMProtector™ strainers from Johnson Pump self-evident choices for any wash-down or water-system pump.

These Strainers are Well-Connected



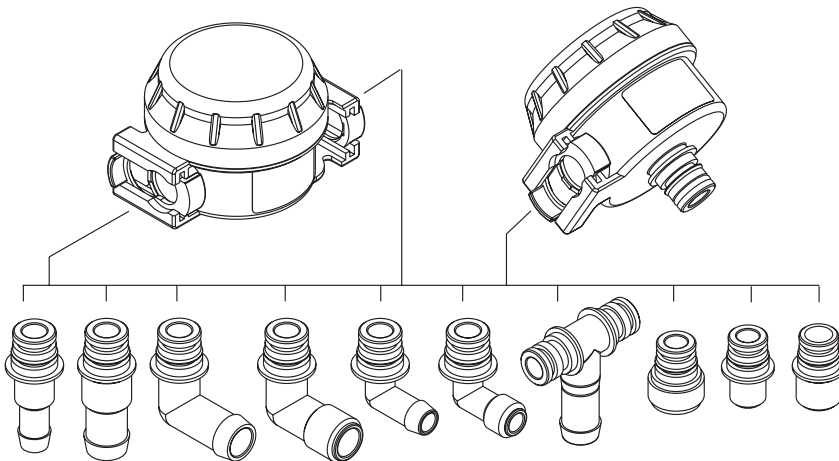
KlickTite™ port connectors are available for virtually any hose diameter and make it possible to remove the entire unit for thorough cleaning wherever it's most convenient. They also make it possible to drain the system quickly for effortless winterizing without the use of any tools.

PUMProtector™ Universal Strainer

Part. No	Mesh	KlickTite™ Connector
09-24652-01	40	2x 1/2" barb / 3/8" BSP 2x 3/4" barb / 1/2" BSP
09-24652-02	40	2x 1/2" barb / 3/8" NPT 2x 3/4" barb / 1/2" NPT
09-24652-03	20	2x 1/2" barb / 3/8" BSP 2x 3/4" barb / 1/2" BSP
09-24652-04	20	2x 1/2" barb / 3/8" NPT 2x 3/4" barb / 1/2" NPT

PUMProtector™ Inlet Strainer

Part. No	Mesh	KlickTite™ Connector
09-24653-01	40	Built-in KlickTite™ 1x 1/2" barb / 3/8" BSP 1x 3/4" barb / 1/2" BSP
09-24653-02	40	Built-in KlickTite™ 1x 1/2" barb / 3/8" NPT 1x 3/4" barb / 1/2" NPT
09-24653-03	40	Built-in KlickTite™ Bulk pack w/o connectors



KlickTite™ port connectors available

Part. No.	Connector
09-46783	2 x 1/2" barb and 3/8" BSP
09-46784	2 x 3/4" barb and 1/2" BSP
09-46939	2 x 90°, 3/4" barb
09-47087	2 x 90°, 1/2" BSP
09-46938	2 x 90°, 1/2" barb
09-47026	2 x 90°, 3/8" BSP
09-46957	2 x 1/2" barb and 3/8" NPT
09-46958	2 x 3/4" barb and 1/2" NPT
09-47088	2 x 90°, 1/2" NPT
09-47089	2 x 90°, 3/8" NPT
09-47092	1 x T-connection, 3/4" barb
09-47094	2 x Garden hose adapter
09-47096	2 x 3/8" BSP
09-47098	2 x 1/2" BSP

Technical specifications:

Inlet and Universal Strainers

Materials	Strainer Polyamide 66, black
	Cover Acrylic, clear
	Screen Stainless steel, 20 and 40 mesh
	O-rings Silicone and EPDM

Max. liquid temperature	+50°C / +120°F
Max. temperature for drinking water	+30°C / +85°F
Diameter	80 mm / 3.15"
Height	60 mm / 2.35"
Port options	See illustration
Weight	0.15 kg / 0.33 lbs



AquaJet Duo with
2 PUMProtector™ inline strainers



JOHNSON PUMP
Johnson Pump Marine

Johnson Pump Marine Nastagatan 19. P.O. Box 1436, SE-701 14 Örebro, Sweden, Phone +46 19 21 83 00. Fax +46 19 27 23 72.
Johnson Pumps of America Inc. 10509 United Parkway, Schiller Park, Illinois 60176, USA, Phone +1 847 671 7867. Fax +1 847 671 7909
Johnson Pump (Australia) Pty. Ltd. P.O. Box 427, Cannon Hill, QLD. 4170, Australia. Phone +61 7-3899 9933, Fax +61 7-3899 8574.
www.johnson-pump.com

