

# PS1800 Pool CS-37-1

## Solar Surface Pump System

### System Overview

Head	max. 14 m
Flow rate	max. 36 m <sup>3</sup> /h

PS DataModule – Integrated Data Logger and advanced pump management features. Allows for simple system configuration, real-time and stored data plus provides Bluetooth communication to PumpScanner Android™ App and PS Communicator.\*

### Technical Data

#### Controller PS1800 Pool

- Control inputs for dry running protection, remote control etc.
- Protected against reverse polarity, overload and overtemperature
- Integrated MPPT (Maximum Power Point Tracking)
- Battery operation: Integrated low voltage disconnect

Power	max. 1.8 kW
Input voltage	max. 200 V
Optimum Vmp**	> 102 V
Motor current	max. 14 A
Efficiency	max. 98 %
Ambient temp.	-30...50 °C
Enclosure class	IP65

#### Motor ECDRIVE 1800 CS-37

- Maintenance-free brushless DC motor
- Premium materials, stainless steel: AL/AISI 304
- No electronics in the motor

Rated power	1.7 kW
Efficiency	max. 92 %
Motor speed	900...3,300 rpm
Insulation class	F
Enclosure class	IPX4

#### Pump End PE CS-37-1

- Non-return valve
- Premium materials: PP
- Optional: dry running protection
- Centrifugal pump

#### Pump Unit PU1800 Pool CS-37-1 (Motor, Pump End)

Water temperature	max. 60 °C
Suction head / Positive inlet head	max. 3 m



### Standards



2006/42/EC, 2004/108/EC, 2006/95/EC



Type Approved Safety  
Regular Production Surveillance  
www.tuv.com  
ID: 2000000000  
IEC/EN 61010-1:2010, IEC 62103:2003, IEC/EN 60034-1:2010,  
IEC/EN 60335-2-41:2003+A1+A2,  
IEC/EN 60335-1:2012, EN 62233:2008  
IEC/EN 61000-6-4:2007+A1, IEC/EN 61000-6-2:2005



UL 508, 778, 1004  
CSA C22.2 No. 14, 100, 108

IEC/EN 61702:1995, IEC/EN 62253 Ed.1

The logos shown reflect the approvals that have been granted for this product family. Products are ordered and supplied with the approvals specific to the market requirements.

\* PS DataModule is included in all PSk2 controllers and any PS controllers with –D in their description. –D variants should be ordered if there is a potential need to use the PS DataModule features in the future as this is not a retrofit option.

\*\*Vmp: MPP-voltage under Standard Test Conditions (STC): 1000 W/m<sup>2</sup> solar irradiance, 25 °C cell temperature

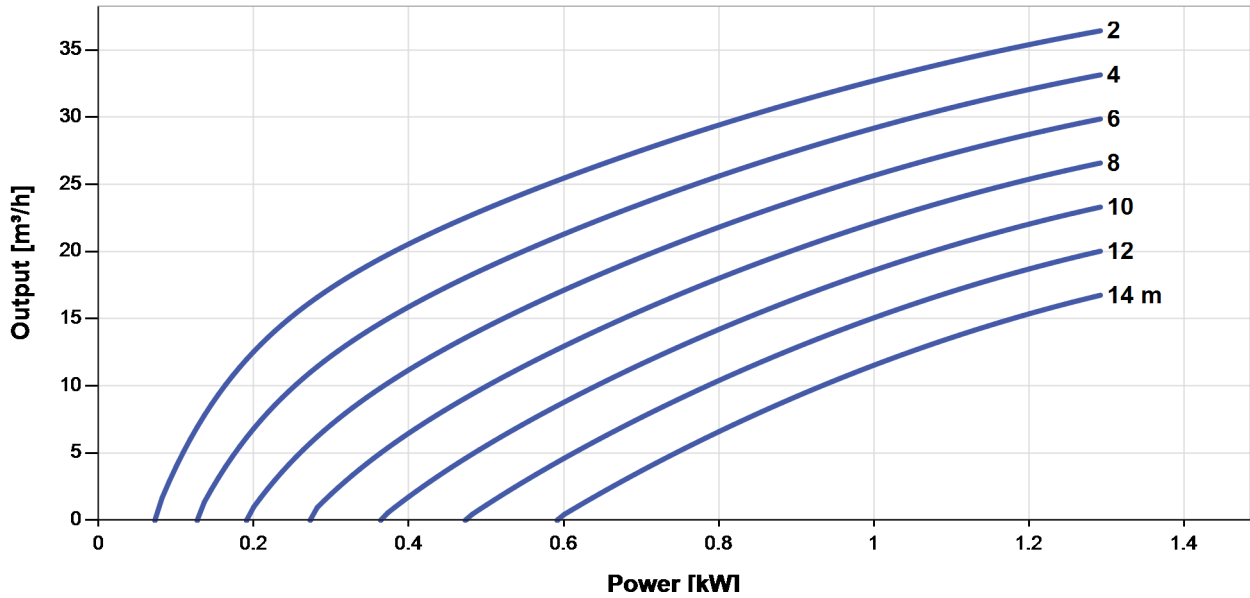


## PS1800 Pool CS-37-1

### Solar Surface Pump System

#### Pump Chart

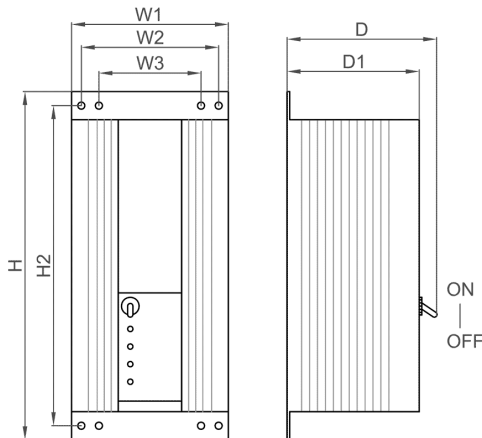
V<sub>mp</sub>\* > 102 V



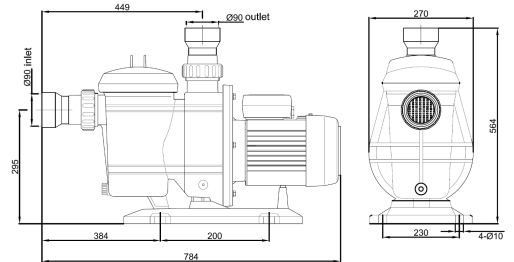
#### Dimensions and Weights

##### Controller

- H = 396 mm
- H2 = 364 mm
- W1 = 178 mm
- W2 = 156 mm
- W3 = 116 mm
- D = 165 mm
- D1 = 150 mm



##### Pump Unit [mm]



	Net weight
Controller	4.5 kg
Pump Unit	21 kg
Motor	10 kg
Pump End	11 kg

\*V<sub>mp</sub>: MPP-voltage under Standard Test Conditions (STC): 1000 W/m² solar irradiance, 25 °C cell temperature

