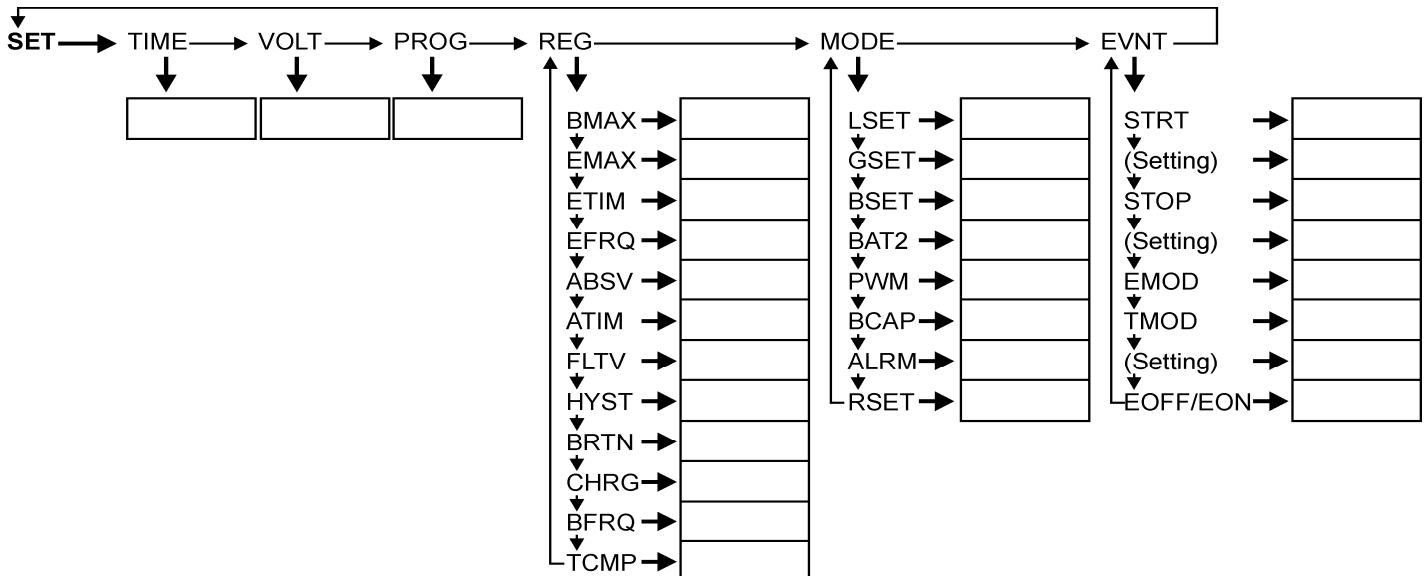


Plasmatronics PL Settings

Regulator Program Function		Wet Cell Lead Acid Battery			Sealed/Gel Lead Acid Battery			
Function	Description	Default 0	Trojan	Raylite	Default 1	EnergyStore	Leoch	BAE
BMAX	Boost Voltage	15.0V	14.8V	14.7V	14.2V	14.7V	14.7V	14.4V
EMAX	Equalise Voltage	16.0V	15.5V	15.6V	14.0V	14.7V	14.5V	14.4V
ETIM	Equalise Time	1 hrs	2 hrs	2 hrs	0 hrs	2 hrs	0 hrs	2 hrs
EFRQ	Equalise Frequency	45 days	30 days	30 days	45 days	30 days	30 days	30 days
ABSV	Absorption Charge Voltage	14.0V	14.4V	14.2V	14.0V	14.4V	14.4V	14.1V
ATIM	Absorption Charge Time	2 hrs	2 hrs	2 hrs	2 hrs	2 hrs	3 hrs	2 hrs
FLTV	Float Voltage	13.8V	13.2V	13.8V	13.8V	13.8V	13.8V	13.5V
BRTN	Boost Charge Trigger Voltage	12.3V	12.3V	12.3V	12.3V	12.3V	12.3V	12.3V
CHRG	Max. Charge Current	10% of C ₁₀	10% of C ₁₀	10% of C ₁₀	10% of C ₁₀	10% of C ₁₀	10% of C ₁₀	10% of C ₁₀
BFRQ	Boost Charge Frequency	15 days	15 days	15 days	15 days	15 days	15 days	15 days
TCMP	Temp. Comp. Table	0	0	0	0	-4mV/°C/cell	2	1
ALRM	Low Level Alarm	11.4V	11.4V	11.4V	11.4V	11.4V	11.4V	11.4V
LOFF	LVD cut-off	11.3V	11.3V	11.3V	11.3V	11.3V	11.0V	10.5V
LON	LVD reconnect	12.8V	12.8V	12.8V	12.8V	12.8V	12.8V	12.8V
LDEL	LVD delay from LOFF	10 min	10 min	10 min	10 min	5 min	5 min	5 min
Make sure that PWM =1 (standard). PWM=2 or 3 when a shunt is connected to the load terminal.		All the above program settings will be in Program 4 (except for the two default settings which are either Program 0 or Program 1).						



RAINBOW POWER COMPANY LTD

Designers and Installers of Solar Systems since 1987

1 Alternative Way (PO Box 20240)

tel: (02) 6689 1430

international: +61 2 6689 1088

email: sales@rpc.com.au

A. B. N. 74 003 323 420

Nimbin NSW 2480 Australia

fax: (02) 6689 1109

international: +61 2 6689 1109

website: www.rpc.com.au

Lic:198555C (NSW). 69172 (Qld)