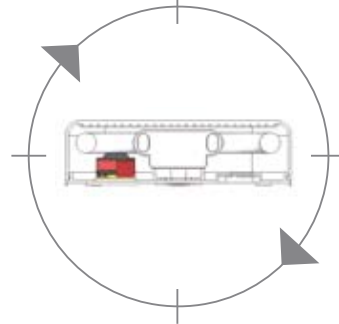


■ **SQUARELIGHT (NX)**

- Super bright light
- Low energy consumption
- Integrated rocker switch
- Compact low profile

Internal View



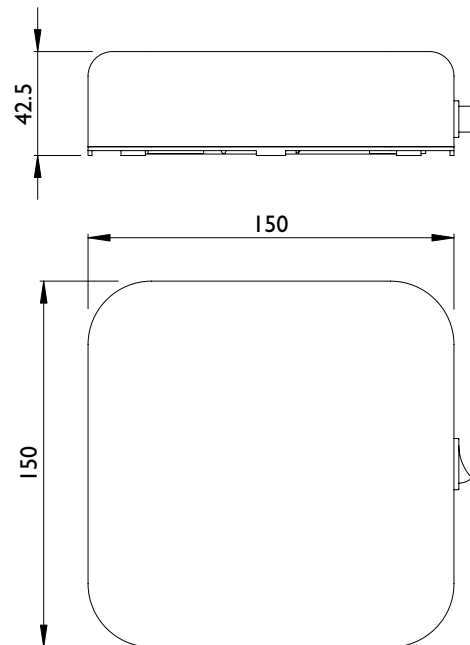
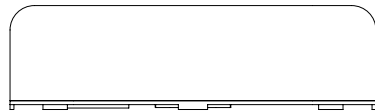
Available from:

|| See technical specifications overleaf >>>

## SQUARELIGHT (NX)



The SQUARELIGHT is a sturdy low profile light unit suitable for all applications, particularly in corners and in restricted areas such as under shelving and inside smaller vehicles. Compact but bright; the 16w 2D format tube produces over 1,000 lumens, giving you a high light output, low current drain unit for use with either a 12V or 24V DC power source. Height has been kept to a minimum to preserve headroom and an on/off rocker switch is mounted into the side of the shade. The XT (preheat) circuit is fitted as standard increasing the tube life by over 10 times. The enclosure and lens are manufactured from tough polycarbonate to protect the tube and prevent breakages, therefore reducing the risk of injury if accidentally damaged.



### SPECIFICATION

ALL DIMENSIONS HAVE A TOLERANCE OF +/- 1mm

SQUARELIGHT (NX)

Model No		NX16XT	NX16/2XT
Supply Voltage	Vdc	12	24
Voltage Range	Vdc	10 to 15	20 to 32
Average Current	A	1.3	0.75
Crest Factor		1.6	1.6
Frequency	KHz	20	20
Tube Watts	W	16W	16W
Lumens	Lm	1050	1050
Weight	Kg	0.32	0.32
Temp' Range	°C	-10 to +40	-10 to +40

E & OE