

Ulite

General

Product name	: Ulite
Product description	: 24 VDC Compact Fluorescent Lamp with integrated instant start inverter. For use with standard e17 range only.
Connector Base	: E17
Operating Temperature	: -10°C to +55°C
Storage Temperature	: -40°C to +85°C
Available Lumen Range	: 100 to 400 Lumen
Available Light Output Colors	: Warm White, Cool Daylight
Standard Available Types	: Ulite 240 Ulite 360

Electrical Output

Nominal operating voltage	: 24.0 VDC	
Minimum operating voltage	: 20.0 VDC	
Maximum operating voltage	: 30 VDC	
Nominal operating current	: 0.23 Amp	0.35 Amp
Maximum operating current	: 0.26 Amp	0.38 Amp
Electric Power Consumption (kJoule)	: 20 kJoule/Hour	30 kJoule/Hour
Electric Power Consumption (Watt)	: 6 Watts	9 Watts
Inverter operating frequency	: 40 - 50 kHz	
Inverter Efficiency	: > 80%	

Lighting Output

Luminous Flux	: 240 Lumen	360 Lumen
Luminous Efficacy	: 40 Lumen / watt	
Color Description	: 865 Cool Daylight	
Color Temperature	: 6500°K	

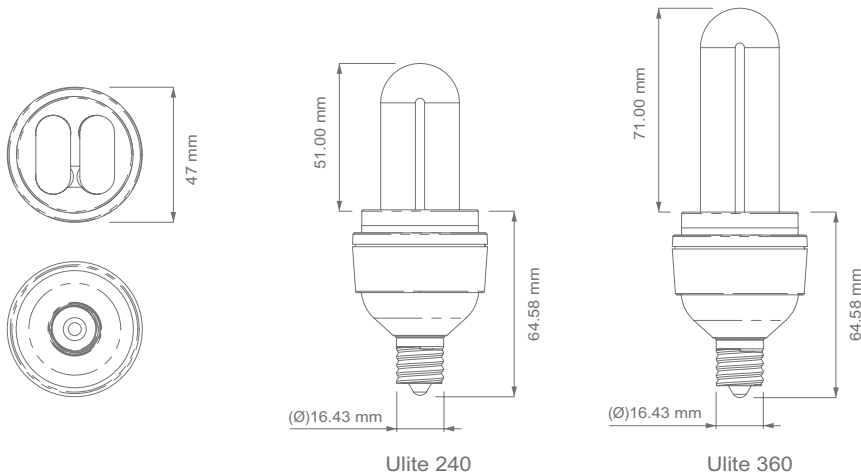
Life Expectancy

Tube lifetime @ 70% Lumen Maintenance	: > 8.000 hrs
Tube Switching Cycles	: > 7.500 on-off cycles
Inverter operating hours	: > 30.000 hrs

Mechanical Details

Lamp Enclosure Materials	: Fire retardant ABS / UV stabilized
Connector material	: Brass / Nickel plated
Product dimensions (HxDia)	: 115.58mm x 47mm 135.58mm x 47mm
Nett product weight	: 0.064 kg 0.072 kg

Mechanical Product Drawing



Protection and Certifications

Reverse Polarity Protection	: Yes
Enclosure protection class	: IP 55
CE Compliance	: Yes
C-Tick Compliance	: Yes
SNI Compliance	: Yes

Packing Details

Standard packaging	: 24 pcs.	
Packing Dimensions (LxWxH)	: 308 x 206 x 130 mm	308 x 206 x 150 mm
Gross weight	: 2.50 kg	2.80 kg

Because of continuous research and development of our products the information and specifications in this data sheet are subject to change without prior notice.