

## General Specifications

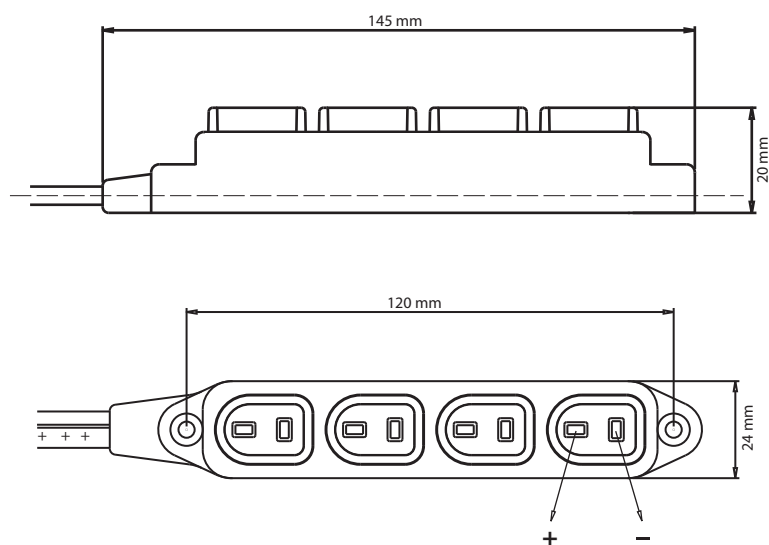
- Product  :  4-Way Socket
- Product description  :  Splitter Connector solution for Solar Home Systems

## Electrical Specifications

- Rated Voltage  :  300 V
- Rated Current  :  - Sundaya Extension cord cable : 5A
- :  - Sundaya DCS electric cable 50 Am2 : 10A
- Insulation withstand Voltage  :  AC 3000 V at 1 minute
- Insulation Resistance at 20°C  :  500 MΩ or more at 500 VDC
- Insulation withstand Voltage  :  AC 3000 V at 1 minute
- Insulation Resistance  :  500 MΩ or more at 500 VDC

## Mechanical Specifications

- Materials  :  PVC (fire retardant)
- Standard cable  :  - Sundaya Extension cord cable
- :  - Sundaya DCS electric cable 50 Am / 2x2.50 mm2
- Standard cable length  :  - 0.75, 1.5, 3 meter (Extention cord)
- :  - 3 & 5 meter (Sundaya DCS 50Am2 / 2 x 2.50 mm2)
- Input Connector  :  Sundaya D-plug for Extention cord cable
- :  Sundaya T-con for Sundaya DCS cable 50Am2 / 2 x 2.50 mm2
- Color  :  Black
- Tensile strength  :  Min. 11Mpa
- Elongation  :  Min. 190%
- Thermal aging ( 80°C ± 2°C, 7x24hr)
  - Tensile strength  :  Retention rate compared to before heating 60%
  - Elongation  :  Retention rate compared to before heating 70%
  - Heat Shock  :  No cracks or flaws on the surface
  - Cold bend  :  No cracks or flaws on the surface
  - Heat deformation  :  Thickness not to exceed 30%
  - Flame Retardance  :  Flame to go out naturally within 60 sec.
- Properties of conductor copper wire
  - Elongation  :  min. 15%
  - Electrical conductivity  :  min. 98%
- Product dimensions (LxWxH)  :  145 x 24 x 20 mm
- Net product weight  :  0.345 kg



Because of continuous research and development of our products the information and specifications in this data sheet are subject to change without prior notice.