

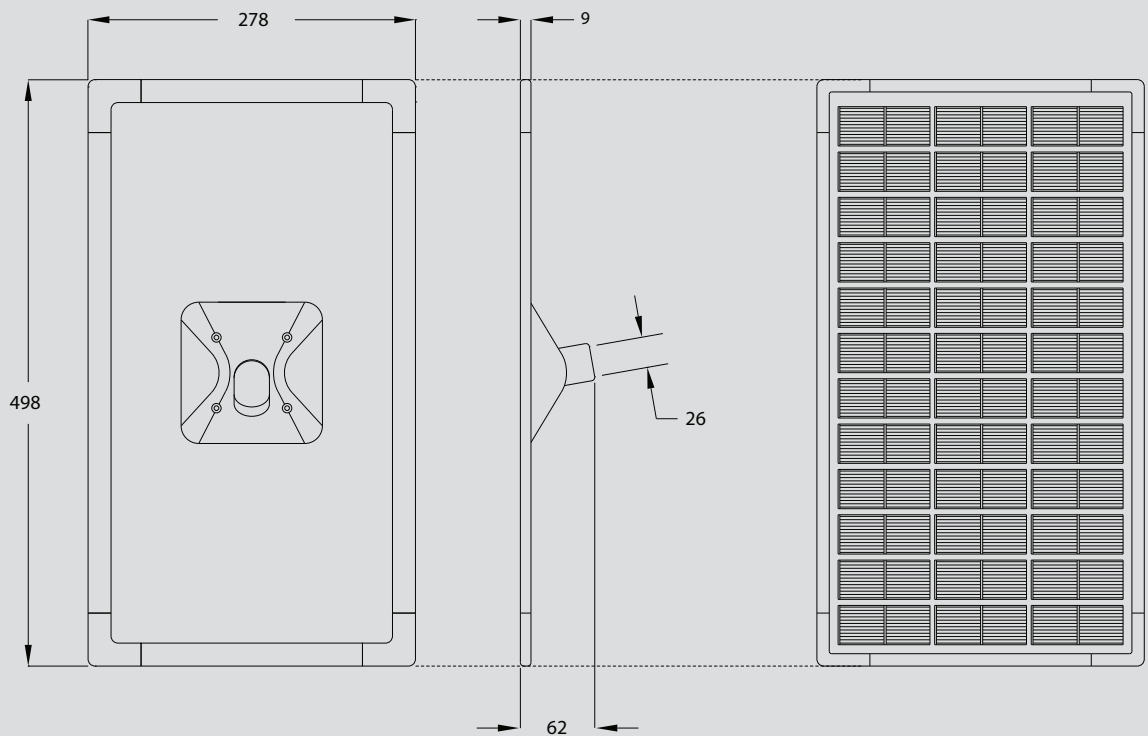
LEC200

PRODUCT SPECIFICATIONS

PS-LECMini-05/05-080411



LEC 200 stands for Light to Electricity Converter and can be used for charging Sundaya Ulitium lamps but also all other Sundaya products that can accept charge from 16 to 25VDC charge voltage range. The LEC is made of very durable and high strength material to ensure a very long life in all weather conditions. The LEC is delivered complete with 500cm cable and pole-mountable support with angle adjustable Swivel.



Energy Yield

| | |
|----------------------------------|-----|
| Energy Yield @ 3 sun-hours/day | 153 |
| Energy Yield @ 4.5 sun-hours/day | 230 |
| Energy Yield @ 6 sun-hours/day | 306 |

Electrical Details

| | |
|------|--------------|
| Pmpp | 14.0 J/s (W) |
| Vmpp | 17.5 VDC |
| Imp | 800 mA |
| Voc | 21.0 VDC |
| Isc | 900 mA |

* Electrical performance data are based on Standard Test Condition (STC) : 1000 W/m², AM 1.5, 25 °C

** Tolerance on data is - 5% to + 10%

10° - 45° adjustable in 5° steps

