

General Specifications

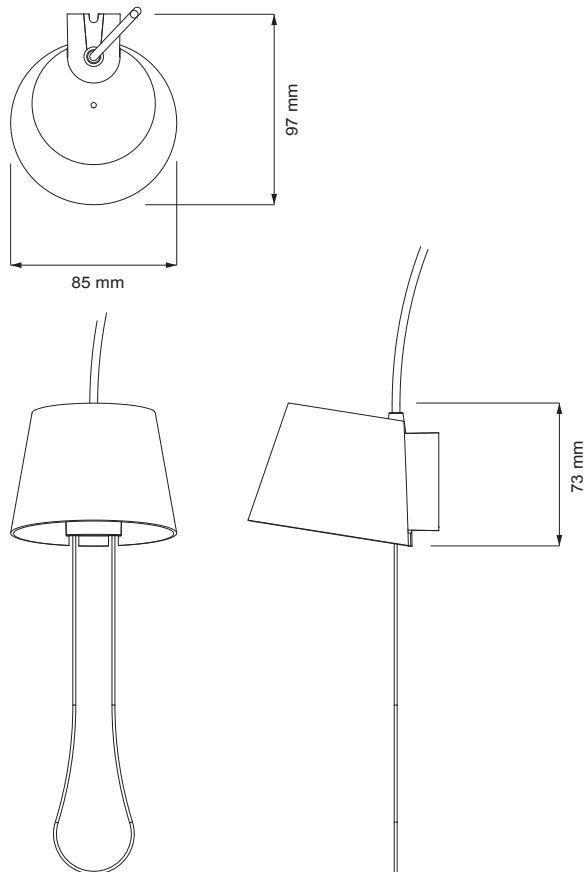
- Product name Lumi
- Product description Small lighting fixture for 12 VDC

Electrical Specifications

- Available operating voltage types : 12 VDC
- Minimum operating voltage : 10.5 VDC
- Maximum operating voltage : 16.5 VDC
- Nominal operating current : 160 mA
- (at 2 watt operating mode)
- Nominal operating current : 40 mA
- (at 0.5 watt operating mode)
- Other functionality: : - very low power consumption
- : - low voltage on bulb terminals

Mechanical Specifications

- Lamp fixture materials : ABS
- Lamp cap : polypropylene
- Product dimensions (LxWxH) : 85 x 97 x 73 mm
- Net product weight : 0.12 kg
- Standard cable length : 3 meters
- Standard packaging : 1 pc. per inner box / 48 pcs. per carton
- Packing dimensions (LxWxH) : 355 x 355 x 275mm
- Gross weight : 1,5kg
- Volume / Pcs. Per m3 : 0.035m3 / 28.5 boxes per m3



Because of continuous research and development of our products the information and specifications in this data sheet are subject to change without prior notice.