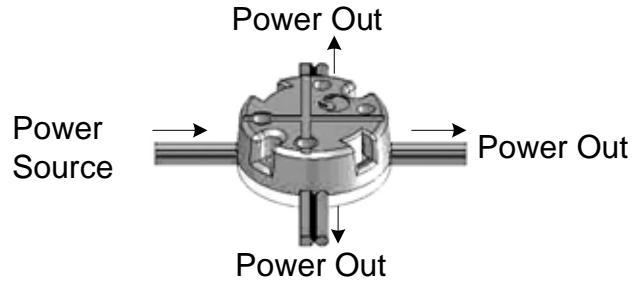
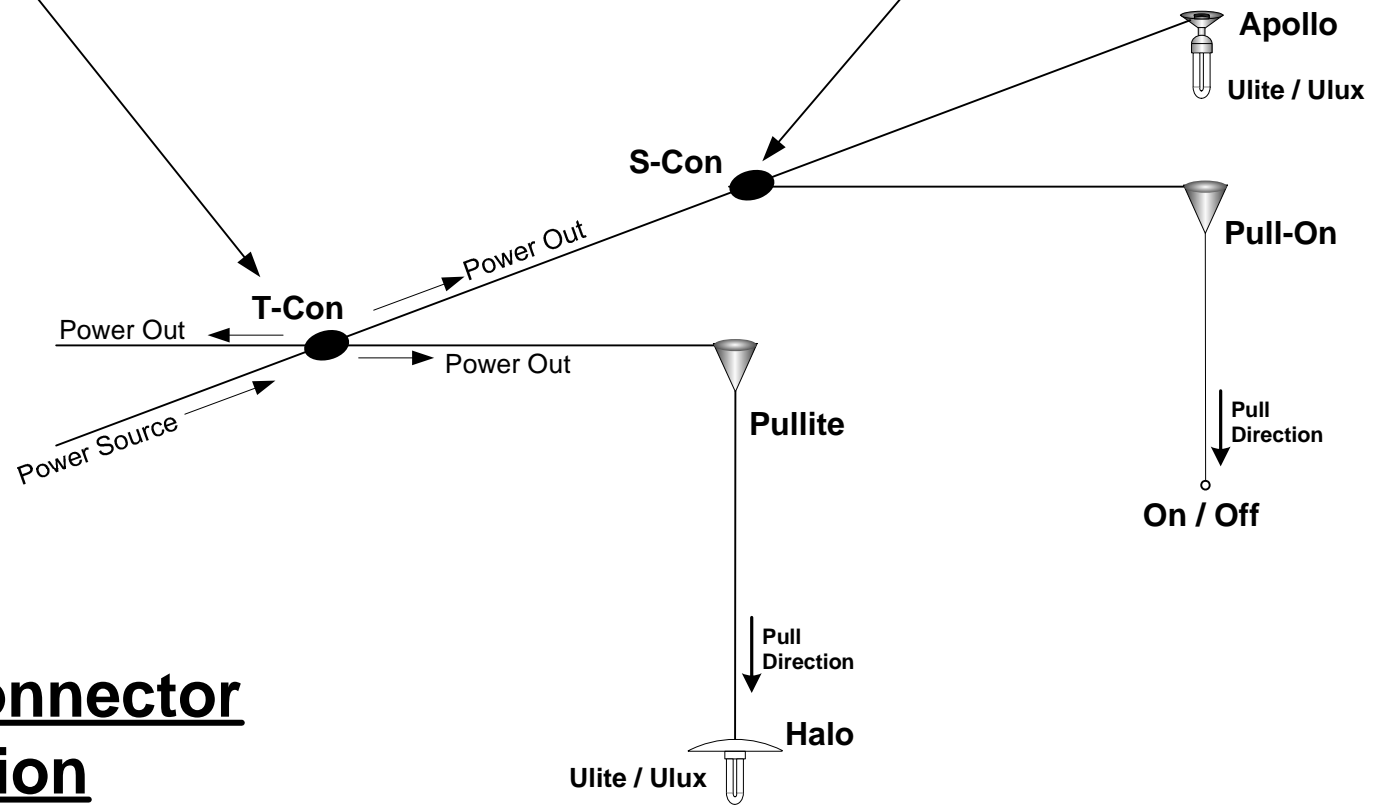
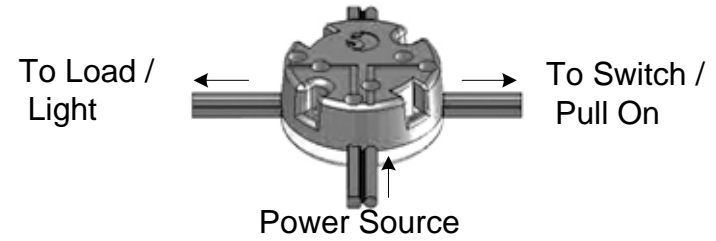


**T-CON (Terminal Connector)**

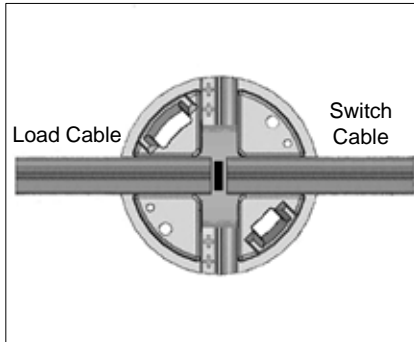


**S-CON (Switch Connector)**



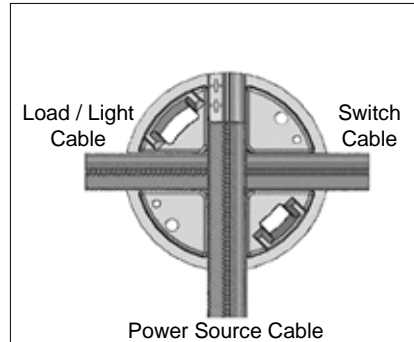
**Light and Connector Installation**

## S-Con Installation Manual :



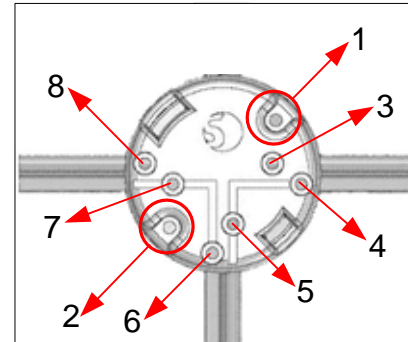
### STEP No.1

Insert Load Cable and Switch Cable into the cable canal with the + polarity (square shaped side of cable with + marking) to side marked with + + +



### STEP No. 2

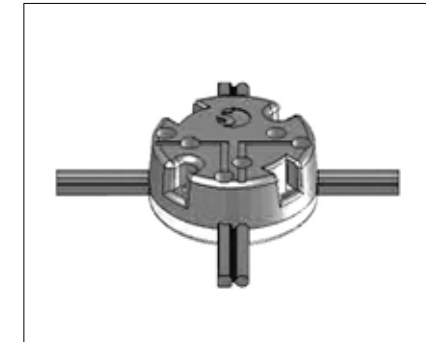
Insert Power Source Cable into Cable Canal with the + polarity (square shaped side of cable with + marking) to side marked with + + +



### STEP No. 3

Close the top cover, and tighten the Hexagon Head Screws of No.1 and No.2 first before tightening screw No.3 to 8.

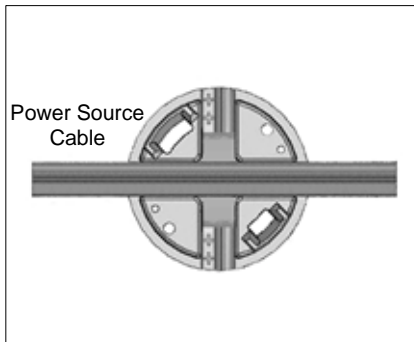
**Note: if polarity of cable is reversed; than the cover will not close. Please check the polarity of the cable when cover cannot close easily.**



### STEP No. 4

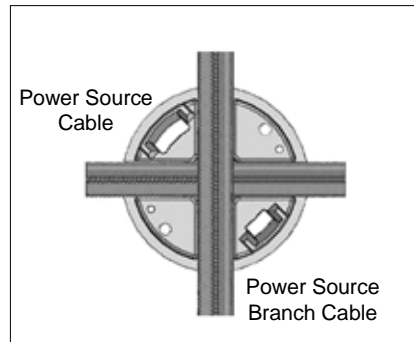
The S-Con is ready to use.

## T-Con Installation manual :



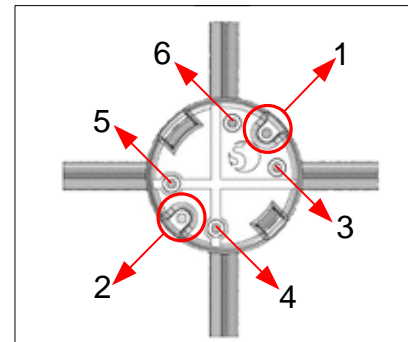
### STEP No.1

Insert Power Source Cable to cable canal with + polarity (square shaped side of cable with + marking) to side marked with + + +



### STEP No. 2

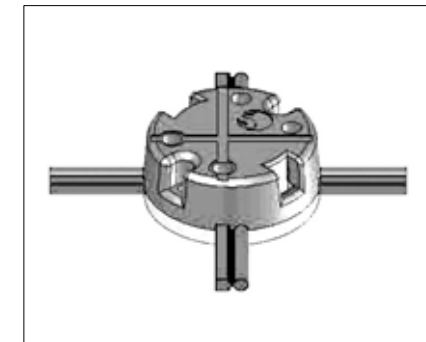
Insert Power Source Branch Cable to Cable Canal with + polarity (square shaped side of cable with + marking) to side marked with + + +



### STEP No. 3

Close the top cover by clicking it in position, and tighten the Hexagon Head Screws of No.1 and No.2 first before tightening screw No.3 to 6.

**Note: if polarity of cable is reversed; than the cover will not close. Please check the polarity of the cable when cover cannot close easily.**



### STEP No. 4

The T-Con is ready to use.