

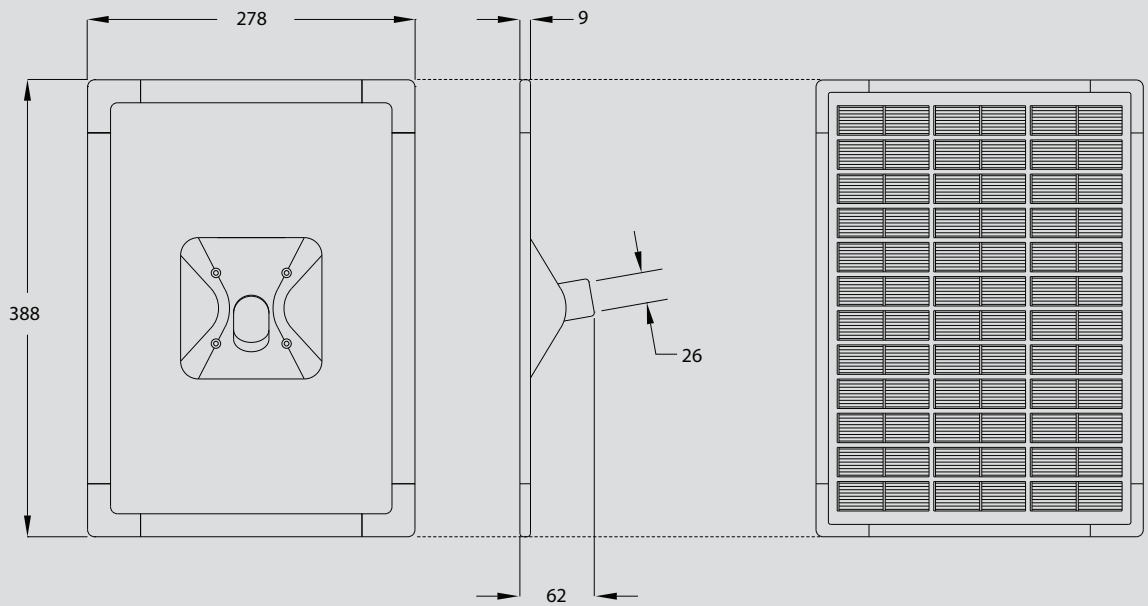
LEC150

PRODUCT SPECIFICATIONS

PS-LECMini-04/05-080411



LEC 150 stands for Light to Electricity Converter and can be used for charging Sundaya Ulitium lamps but also all other Sundaya products that can accept charge from 16 to 25VDC charge voltage range. The LEC is made of very durable and high strength material to ensure a very long life in all weather conditions. The LEC is delivered complete with 500cm cable and pole-mountable support with angle ajustable Swivel.



Energy Yield

Energy Yield @ 3 sun-hours/day	124
Energy Yield @ 4.5 sun-hours/day	187
Energy Yield @ 6 sun-hours/day	249

Electrical Details

Pmpp	10.5 J/s (W)
Vmpp	17.5 VDC
Impp	600 mA
Voc	21.0 VDC
Isc	675 mA

* Electrical performance data are based on Standard Test Condition (STC) : 1000 W/m², AM 1.5, 25 C

** Tolerance on data is - 5% to + 10%

10° - 45° adjustable in 5° steps

